



US00D599053S

(12) **United States Design Patent**
Scott

(10) **Patent No.:** **US D599,053 S**

(45) **Date of Patent:** **** Aug. 25, 2009**

(54) **VERTICAL FIN LED LAMP FIXTURE**

(75) Inventor: **Keith Scott**, Sunnyvale, CA (US)

(73) Assignee: **Bridgelux, Inc.**, Sunnyvale, CA (US)

(**) Term: **14 Years**

(21) Appl. No.: **29/332,472**

(22) Filed: **Feb. 17, 2009**

Related U.S. Application Data

(62) Division of application No. 29/320,462, filed on Jun. 27, 2008, now Pat. No. Des. 592,799.

(51) **LOC (9) Cl.** **26-99**

(52) **U.S. Cl.** **D26/138**

(58) **Field of Classification Search** D26/110,
D26/111, 113, 119, 120, 128, 129, 93, 94,
D26/102, 105, 106, 107, 109, 130, 74, 75,
D26/76, 77, 80, 81, 88, 90, 71, 68, 142, 145,
D26/67, 118, 85, 89, 86, 24, 135, 60, 61,
D26/72, 73, 133, 134, 138, 140, 148, 149,
D26/150, 151, 152, 154, 155, 141; 362/601,
362/606, 607, 608, 611, 612, 615, 617, 632,
362/633, 555, 561, 95, 147, 351, 358, 376,
362/455, 804; 257/98, 99; D13/179; 40/714,
40/715, 716; D6/300, 301, 302, 308, 310,
D6/313, 314; 433/29, 30, 28, 31, 126; D24/128,
D24/176, 177; 349/58, 65; D20/41, 42,
D20/43; D14/374, 126, 380, 375, 382

See application file for complete search history.

(56) **References Cited**

U.S. PATENT DOCUMENTS

3,023,264 A * 2/1962 Allison 174/395

3,182,114 A *	5/1965	Burgess et al.	174/16.3
3,833,804 A *	9/1974	Vesely	362/291
D236,999 S *	9/1975	Tongson	D26/134
D280,242 S *	8/1985	Burket et al.	D26/134
D297,671 S *	9/1988	Groh	D26/63
4,841,422 A *	6/1989	Groh	362/294
5,132,875 A *	7/1992	Plesinger	361/704
5,784,255 A *	7/1998	Wyland	361/692
6,330,908 B1 *	12/2001	Lee et al.	165/185
6,343,012 B1 *	1/2002	Rife	361/695
D473,002 S *	4/2003	Hoernig	D26/87
6,543,522 B1 *	4/2003	Hegde	165/80.3
D482,477 S *	11/2003	Wang	D26/67
6,880,956 B2 *	4/2005	Zhang	362/264
D530,683 S *	10/2006	Rivas et al.	D13/179

* cited by examiner

Primary Examiner—Cathron C Brooks

Assistant Examiner—Kevin K Rudzinski

(74) *Attorney, Agent, or Firm*—Haynes and Boone, LLP

(57) **CLAIM**

The ornamental design for a vertical fin LED lamp fixture, as shown and described.

DESCRIPTION

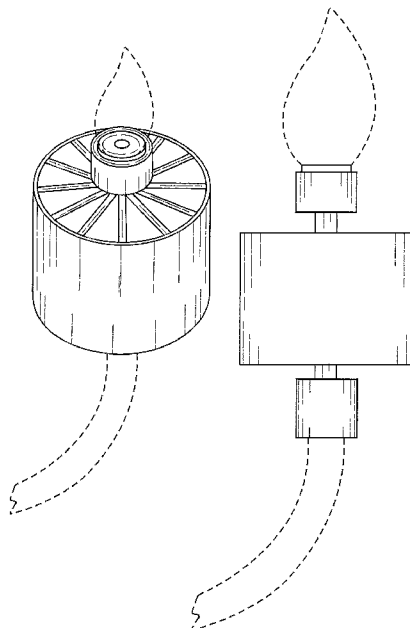
FIG. 1 is a front perspective view of a vertical fin LED lamp fixture showing my new design;

FIG. 2 is a left side view thereof, the right side, front and rear elevational views being identical; and,

FIG. 3 is a top plan view thereof.

The dashed lines in FIGS. 1 and 2 represent unclaimed environment and form no part of the claimed design.

1 Claim, 2 Drawing Sheets



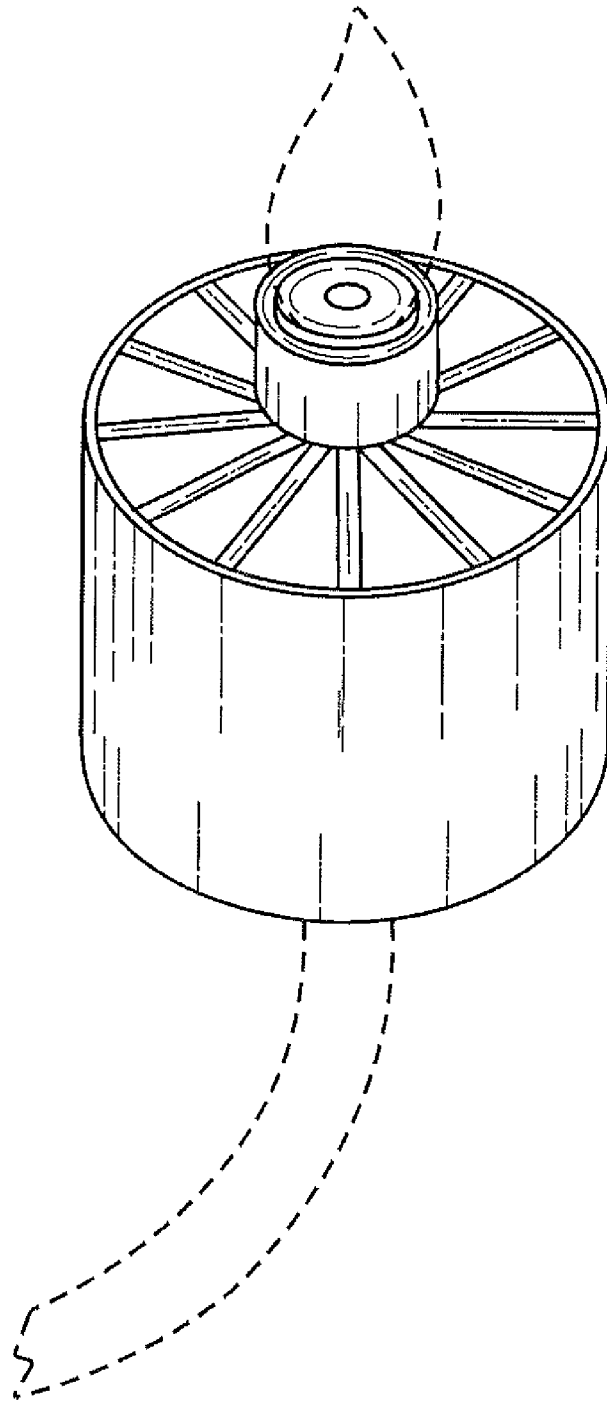


FIG. 1

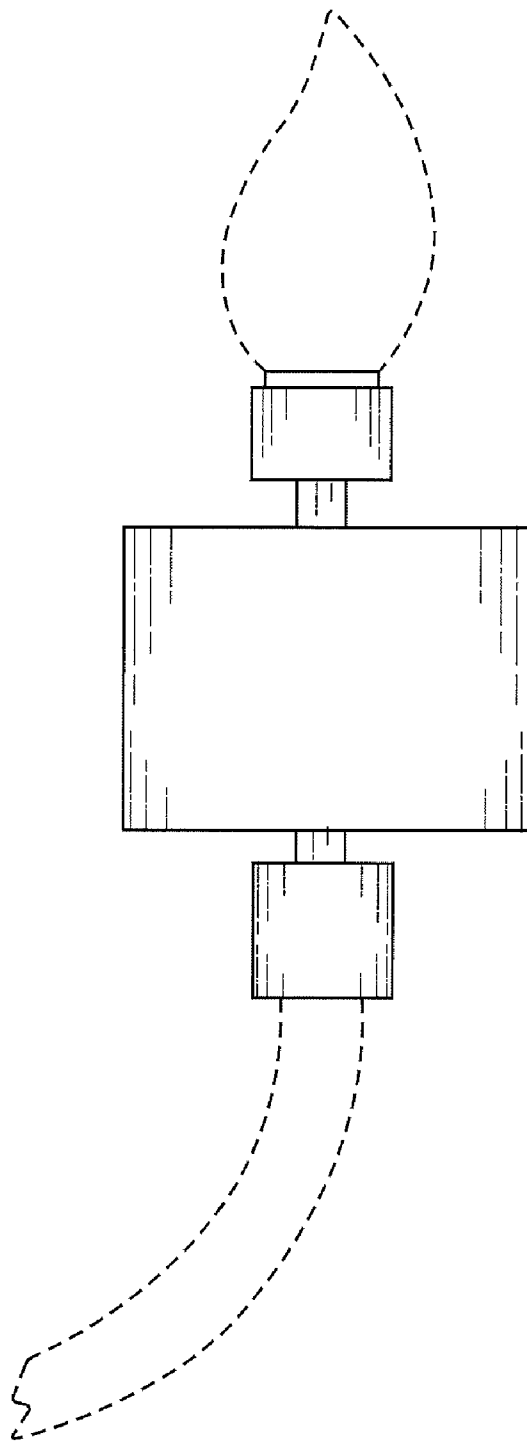


FIG. 2

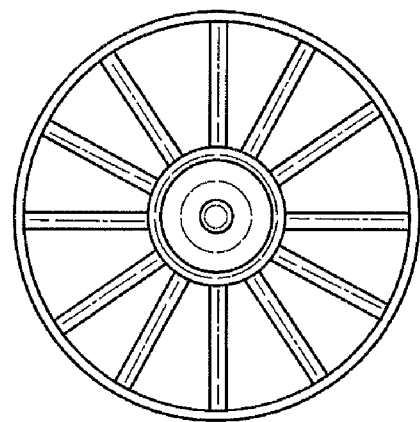


FIG. 3