

Attorney Docket No.: DM-2093 US

SPECIFICATION

I, Keith Scott, have invented a new, original and ornamental design for a

HORIZONTAL FIN LED LAMP FIXTURE

of which the following is a specification, wherein the accompanying drawings form a part hereof:

Figure 1 is a front perspective view of an LED lamp fixture showing my new design;

Figure 2 is a left side elevational view thereof; and

Figure 3 is a top plan view thereof.

The right side, front side, and rear elevational views of the claimed design are substantially identical to the left side elevational view. The dashed lines in Figures 1 and 2 are for illustrative purposes and form no part of the claimed design.

I CLAIM:

The ornamental design for a **HORIZONTAL FIN LED LAMP FIXTURE** as shown and described.

1/2

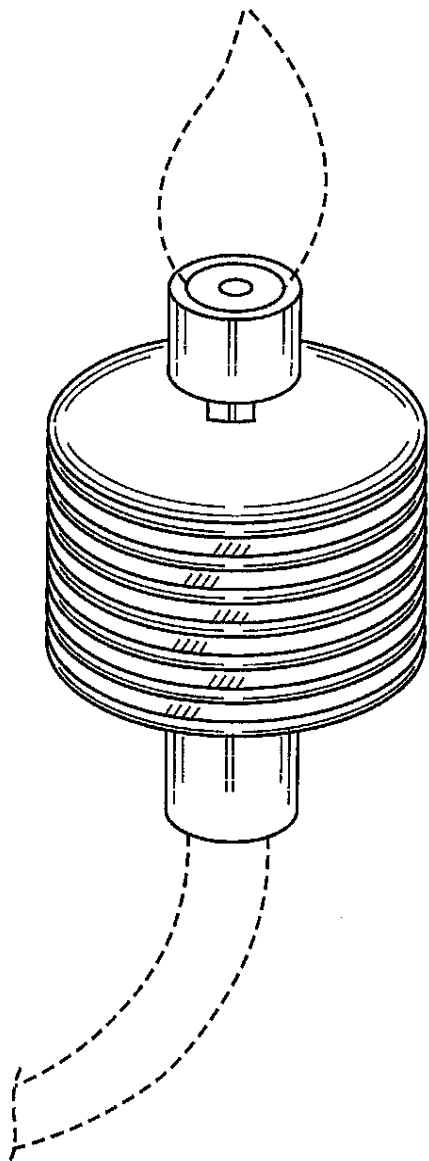


FIG. 1

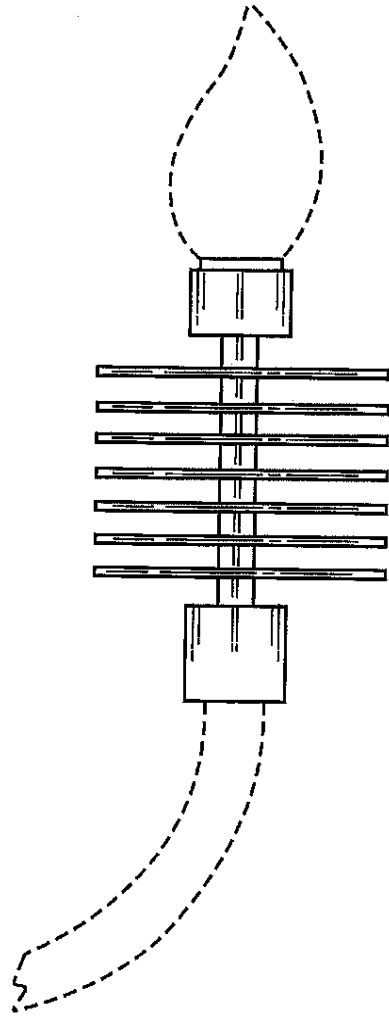


FIG. 2

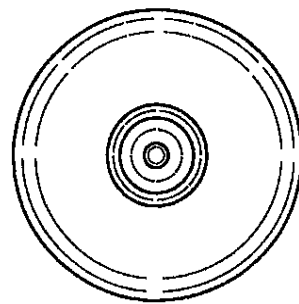


FIG. 3