

# Bridgelux® SMD 2835 1W 9V

Product Data Sheet DS506

# Introduction

SMD 2835



Bridgelux F90 Series combine unique phosphor and packaging technology to achieve today's CRI 80 LED flux with a CRI of 90. It can be incorporated in virtually any luminaire (such as linear lamps, downlights, spotlights, high-bay) and can increase the vividness of strong red colors which is particularly desirable in retail applications.

## Features

- Industry-standard 2835 footprint
- Hot-color targeting ensures that color is within the ANSI bin at the typical application conditions of 85°C
- Enables 3- and 6-step MacAdam ellipse custom binning kits
- RoHS compliant and lead free
- Multiple CCT configurations for a wide range of lighting applications

## Benefits

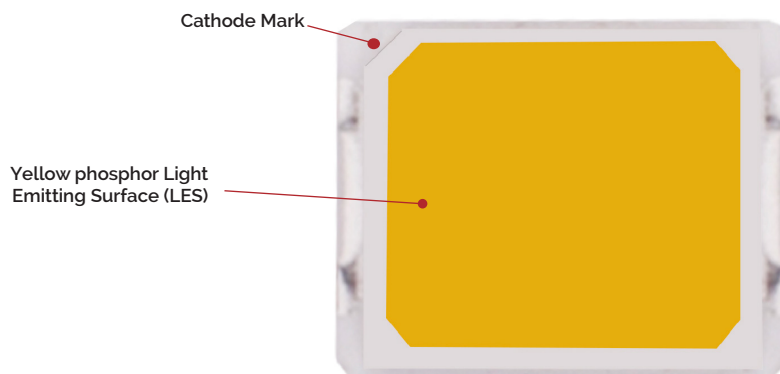
- Lower operating and manufacturing cost
- Ease of design and rapid go-to-market
- Uniform, consistent white light
- Reliable and constant white point
- Compliant with environmental standards
- Design flexibility

# Contents

Product Feature Map	2
Product Nomenclature	2
Product Selection Guide	3
Electrical Characteristics	5
Absolute Maximum Ratings	6
Product Bin Definitions	7
Performance Curves	12
Typical Radiation Pattern	15
Typical Color Spectrum	16
Mechanical Dimensions	17
Reliability	18
Reflow Characteristics	19
Packaging	20
Design Resources	22
Precautions	22
Disclaimers	22
About Bridgelux	23

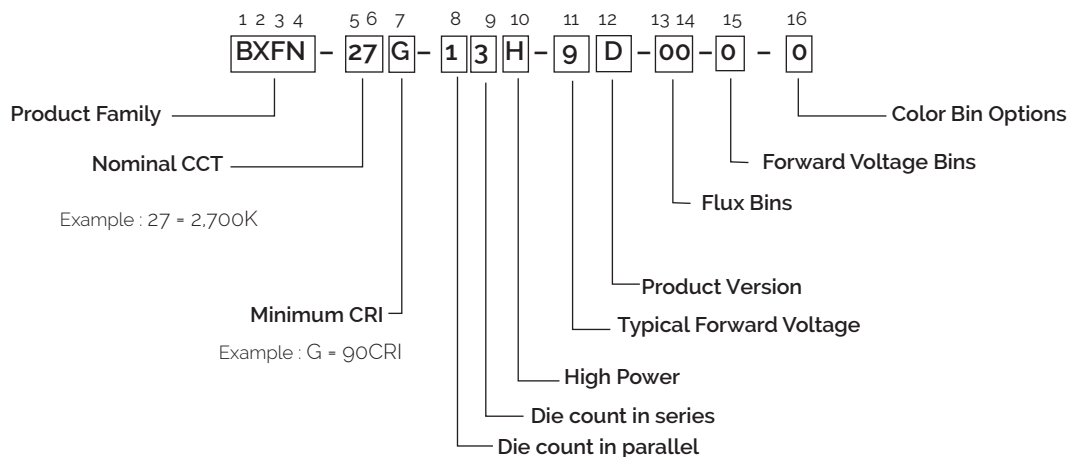
# Product Feature Map

Bridgelux SMD LED products come in industry standard package sizes and follow ANSI binning standards. These LEDs are optimized for cost and performance, helping to ensure highly competitive system lumen per dollar performance while addressing the stringent efficacy and reliability standards required for modern lighting applications.



## Product Nomenclature

The part number designation for Bridgelux SMD 2835 is explained as follows:



# Product Selection Guide

The following product configurations are available:

**Table 1:** Selection Guide, Pulsed Measurement Data at 100mA ( $T_j=T_{sp}=25^{\circ}\text{C}$ )

Part Number <sup>6</sup>	Nominal CCT <sup>2</sup> (K)	CRI <sup>3,5</sup>	Nominal Drive Current (mA)	Forward Voltage <sup>4,5</sup> (V)			Typical Pulsed Flux (lm) <sup>4,5</sup>	Typical Power (W)	Typical Efficacy (lm/W)
				Min	Typical	Max			
BXFN-22G-13H-gD-00-0-0	2200	88.5	100	8.6	8.95	9.4	132.0	0.9	147
BXFN-23G-13H-gD-00-0-0	2300	88.5	100	8.6	8.95	9.4	132.0	0.9	147
BXFN-27G-13H-gD-00-0-0	2700	88.5	100	8.6	8.95	9.4	139.5	0.9	156
BXFN-27G-13H-gDS-00-0-0	DS 2700	88.5	100	8.6	8.95	9.4	139.5	0.9	156
BXFN-28G-13H-gD-00-0-0	2800	88.5	100	8.6	8.95	9.4	140.0	0.9	156
BXFN-29G-13H-gD-00-0-0	2900	88.5	100	8.6	8.95	9.4	140.0	0.9	157
BXFN-30G-13H-gD-00-0-0	3000	88.5	100	8.6	8.95	9.4	141.5	0.9	158
BXFN-31G-13H-gD-00-0-0	3100	88.5	100	8.6	8.95	9.4	141.5	0.9	158
BXFN-34G-13H-gD-00-0-0	3400	88.5	100	8.6	8.95	9.4	142.0	0.9	159
BXFN-35G-13H-gD-00-0-0	3500	88.5	100	8.6	8.95	9.4	142.0	0.9	159
BXFN-36G-13H-gD-00-0-0	3600	88.5	100	8.6	8.95	9.4	142.0	0.9	159
BXFN-39G-13H-gD-00-0-0	3900	87	100	8.6	8.95	9.4	145.0	0.9	162
BXFN-40G-13H-gD-00-0-0	4000	87	100	8.6	8.95	9.4	145.0	0.9	162
BXFN-41G-13H-gD-00-0-0	4100	87	100	8.6	8.95	9.4	145.0	0.9	162
BXFN-43G-13H-gD-00-0-0	4300	87	100	8.6	8.95	9.4	145.0	0.9	162
BXFN-49G-13H-gD-00-0-0	4900	87	100	8.6	8.95	9.4	145.0	0.9	162
BXFN-50G-13H-gD-00-0-0	5000	87	100	8.6	8.95	9.4	145.0	0.9	162
BXFN-51G-13H-gD-00-0-0	5100	87	100	8.6	8.95	9.4	145.0	0.9	162
BXFN-52G-13H-gD-00-0-0	5200	87	100	8.6	8.95	9.4	145.0	0.9	162
BXFN-52G-13H-gDS-00-0-0	DS 5200	87	100	8.6	8.95	9.4	145.0	0.9	162
BXFN-56G-13H-gD-00-0-0	5600	87	100	8.6	8.95	9.4	142.0	0.9	159
BXFN-57G-13H-gD-00-0-0	5700	87	100	8.6	8.95	9.4	142.0	0.9	159
BXFN-64G-13H-gDS-00-0-0	DS 6400	87	100	8.6	8.95	9.4	142.0	0.9	159
BXFN-65G-13H-gD-00-0-0	6500	87	100	8.6	8.95	9.4	142.0	0.9	159
BXFN-66G-13H-gD-00-0-0	6600	87	100	8.6	8.95	9.4	142.0	0.9	159
BXFN-68G-13H-gD-00-0-0	6800	87	100	8.6	8.95	9.4	142.0	0.9	159

# Product Selection Guide

**Table 2:** Selection Guide, Pulsed Test Performance ( $T_{sp} = 85^{\circ}\text{C}$ )<sup>7,8</sup>

Part Number <sup>1,6</sup>	Nominal CCT <sup>2</sup> (K)	CRI <sup>3,5</sup>	Nominal Drive Current (mA)	Forward Voltage <sup>4,5</sup> (V)			Typical Pulsed Flux (lm) <sup>4,5</sup>	Typical Power (W)	Typical Efficacy (lm/W)
				Min	Typical	Max			
BXFN-22G-13H-9D-00-0-0	2200	90	100	8.4	8.77	9.2	118	0.9	135
BXFN-23G-13H-9D-00-0-0	2300	90	100	8.4	8.77	9.2	118	0.9	135
BXFN-27G-13H-9D-00-0-0	2700	90	100	8.4	8.77	9.2	125	0.9	143
BXFN-27G-13H-9DS-00-0-0	DS 2700	90	100	8.4	8.77	9.2	125	0.9	143
BXFN-28G-13H-9D-00-0-0	2800	90	100	8.4	8.77	9.2	125	0.9	143
BXFN-29G-13H-9D-00-0-0	2900	90	100	8.4	8.77	9.2	125	0.9	143
BXFN-30G-13H-9D-00-0-0	3000	90	100	8.4	8.77	9.2	127	0.9	145
BXFN-31G-13H-9D-00-0-0	3100	90	100	8.4	8.77	9.2	127	0.9	145
BXFN-34G-13H-9D-00-0-0	3400	90	100	8.4	8.77	9.2	127	0.9	145
BXFN-35G-13H-9D-00-0-0	3500	90	100	8.4	8.77	9.2	127	0.9	145
BXFN-36G-13H-9D-00-0-0	3600	90	100	8.4	8.77	9.2	127	0.9	145
BXFN-39G-13H-9D-00-0-0	3900	90	100	8.4	8.77	9.2	130	0.9	148
BXFN-40G-13H-9D-00-0-0	4000	90	100	8.4	8.77	9.2	130	0.9	148
BXFN-41G-13H-9D-00-0-0	4100	90	100	8.4	8.77	9.2	130	0.9	148
BXFN-43G-13H-9D-00-0-0	4300	90	100	8.4	8.77	9.2	130	0.9	148
BXFN-49G-13H-9D-00-0-0	4900	90	100	8.4	8.77	9.2	130	0.9	148
BXFN-50G-13H-9D-00-0-0	5000	90	100	8.4	8.77	9.2	130	0.9	148
BXFN-51G-13H-9D-00-0-0	5100	90	100	8.4	8.77	9.2	130	0.9	148
BXFN-52G-13H-9D-00-0-0	5200	90	100	8.4	8.77	9.2	130	0.9	148
BXFN-52G-13H-9DS-00-0-0	DS 5200	90	100	8.4	8.77	9.2	130	0.9	148
BXFN-56G-13H-9D-00-0-0	5600	90	100	8.4	8.77	9.2	127	0.9	145
BXFN-57G-13H-9D-00-0-0	5700	90	100	8.4	8.77	9.2	127	0.9	145
BXFN-64G-13H-9D-00-0-0	DS 6400	90	100	8.4	8.77	9.2	127	0.9	145
BXFN-65G-13H-9D-00-0-0	6500	90	100	8.4	8.77	9.2	127	0.9	145
BXFN-66G-13H-9D-00-0-0	6600	90	100	8.4	8.77	9.2	127	0.9	145
BXFN-68G-13H-9D-00-0-0	6800	90	100	8.4	8.77	9.2	127	0.9	145

Notes for Tables 1 & 2:

- The last 7 characters (including hyphens '-') refer to flux bins, forward voltage bins, and color bin options, respectively. "00-0-0" denotes the full distribution of flux, forward voltage, and color bin.  
Example: BXFN-27G-13H-9D-00-0-0 refers to the full distribution of flux, forward voltage, and color within a 2700K 6-step ANSI standard chromaticity region with a minimum of 87 CRI and typical of 90 CRI, 1x3 die configuration, high power, 8.95V typical forward voltage.
- Product CCT is hot targeted at  $T_{sp} = 85^{\circ}\text{C}$ . Nominal CCT as defined by ANSI C78.377-2011.
- Listed CRIs are minimum values.
- Products tested under pulsed condition (10ms pulse width) at nominal drive current.
- Bridgelux maintains a  $\pm 7.5\%$  tolerance on luminous flux measurements,  $\pm 0.15\text{V}$  tolerance on forward voltage measurements, and  $\pm 2$  tolerance on CRI measurements for the SMD 2835.
- Refer to Table 5 and Table 6 for Bridgelux SMD 2835 Luminous Flux Binning and Forward Voltage Binning information.
- Typical pulsed test performance values are provided as reference only and are not a guarantee of performance.
- Typical performance is estimated based on operation under pulsed current with LED emitter mounted onto a heat sink with thermal interface material and the solder point temperature maintained at  $85^{\circ}\text{C}$ . Based on Bridgelux test setup, values may vary depending on the thermal design of the luminaire and the exposed environment to which the product is subjected.
- In order to ensure the accuracy of the test by Everfine sphere the test model suggest to use conventional test preheat for 30ms integrating time for 20ms. If using pulse model, pulse width suggest to use IP 80-90%. Hot cold test must use conventional test and wavelength accuracy is required to be 1nm. The test conditions must be fixed.

# Electrical Characteristics

**Table 3:** Electrical Characteristics

Part Number	Drive Current (mA)	Forward Voltage (V) <sup>1,2</sup>			Typical Temperature Coefficient of Forward Voltage $\Delta V_f / \Delta T$ (mV/°C)	Typical Thermal Resistance Junction to Solder Point <sup>3</sup> $R_{j-sp}$ (°C/W)
		Minimum	Typical	Maximum		
BXFN-XXG-13H-gD-00-0-0	100	8.60	8.95	9.40	-3.02	12.0

Notes for Table 3:

1. Bridgelux maintains a tolerance of  $\pm 0.15V$  on forward voltage measurements. Voltage minimum and maximum values at the nominal drive current are guaranteed by 100% test.
2. Products tested under pulsed condition (10ms pulse width) at nominal drive current where  $T_{sp} = 25^{\circ}C$ .
3. Thermal resistance value was calculated using total electrical input power; optical power was not subtracted from input power.
4. Thermal resistance is only for the LED test values.

# Absolute Maximum Ratings

**Table 4:** Maximum Ratings

Parameter	Maximum Rating
LED Junction Temperature ( $T_j$ )	125°C
Storage Temperature	-40°C to +105°C
Operating Solder Point Temperature ( $T_{sp}$ )	-40°C to +105°C
Soldering Temperature	260°C or lower for a maximum of 10 seconds
Maximum Drive Current	120mA
Maximum Peak Pulsed Forward Current <sup>1</sup>	240mA
Maximum Reverse Voltage <sup>2</sup>	-
Moisture Sensitivity Rating <sup>3</sup>	MSL 4
Electrostatic Discharge	2kV HBM. JEDEC-JS-001-HBM and JEDEC-JS-001-2012

Notes for Table 4:

1. Bridgelux recommends a maximum duty cycle of 10% and pulse width of 10 ms when operating LED SMD at maximum peak pulsed current specified. Maximum peak pulsed current indicate values where LED SMD can be driven without catastrophic failures.
2. Light emitting diodes are not designed to be driven in reverse voltage and will not produce light under this condition. no rating is provided.
3. The product is sensitive to moisture. It's not good to use for outdoor application or damp environment .

# Product Bin Definitions

Table 5 lists the standard photometric luminous flux bins for Bridgelux SMD 2835 LEDs. Although several bins are listed, product availability in a particular bin varies by production run and by product performance. Not all bins are available in all CCTs.

**Table 5:** Luminous Flux Bin Definitions at 100mA,  $T_{sp}=25^{\circ}\text{C}$

Bin Code	Minimum	Maximum	Unit	Condition
5H	125	130	lm	$I_f=100\text{mA}$
5J	130	135		
5K	135	140		
5L	140	145		
5M	145	150		
5N	150	155		

Note for Table 5:

1. Bridgelux maintains a tolerance of  $\pm 7.5\%$  on luminous flux measurements.

**Table 6:** Forward Voltage Bin Definition at 100mA,  $T_{sp}=25^{\circ}\text{C}$

Bin Code	Minimum	Maximum	Unit	Condition
T	8.6	8.8	V	$I_f=100\text{mA}$
U	8.8	9.0		
V	9.0	9.2		
W	9.2	9.4		

Note for Table 6:

1. Bridgelux maintains a tolerance of  $\pm 0.15\text{V}$  on forward voltage measurements.

# Product Bin Definitions

**Table 7:** MacAdam Ellipse Color Bin Definitions

CCT	Color Space	Center Point		Major Axis	Minor Axis	Ellipse Rotation Angle	Color Bin
		X	Y				
2200K	3 SDCM	0.5018	0.4153	0.0096	0.00441	51.67	1
	6 SDCM	0.5018	0.4153	0.0192	0.00882	51.67	1/A/B/C/D
2300K (T <sub>sp</sub> =25°C)	3 SDCM	0.5069	0.4327	0.0096	0.00440	51.67	1
	6 SDCM	0.5069	0.4327	0.0192	0.00882	51.67	1/A/B/C/D
2700K	3 SDCM	0.4578	0.4101	0.0081	0.00420	53.70	1
	6 SDCM	0.4578	0.4101	0.0162	0.00840	53.70	1/A/B/C/D
DS 2700K (T <sub>sp</sub> =25°C)	3 SDCM	0.4589	0.4154	0.0081	0.00420	53.70	1
	6 SDCM	0.4589	0.4154	0.0162	0.00840	53.70	1/A/B/C/D
2800K (T <sub>sp</sub> =25°C)	3 SDCM	0.4531	0.4103	0.0081	0.0042	53.70	1
	6 SDCM	0.4531	0.4103	0.0162	0.00840	53.70	1/A/B/C/D
2900K (T <sub>sp</sub> =25°C)	3 SDCM	0.4515	0.4155	0.00834	0.00408	53.22	1
	6 SDCM	0.4515	0.4155	0.01668	0.00816	53.22	1/A/B/C/D
3000K	3 SDCM	0.4338	0.4030	0.00834	0.00408	53.22	1
	6 SDCM	0.4338	0.4030	0.01668	0.00816	53.22	1/A/B/C/D
3100K (T <sub>sp</sub> =25°C)	3 SDCM	0.4304	0.4084	0.00834	0.00408	53.22	1
	6 SDCM	0.4304	0.4084	0.01668	0.00816	53.22	1/A/B/C/D
3400K (T <sub>sp</sub> =25°C)	3 SDCM	0.4127	0.3970	0.00834	0.00408	54.00	1
	6 SDCM	0.4127	0.3970	0.01668	0.00816	54.00	1/A/B/C/D
3500K	3 SDCM	0.4073	0.3917	0.00834	0.00408	54.00	1
	6 SDCM	0.4073	0.3917	0.01668	0.00816	54.00	1/A/B/C/D
3600K (T <sub>sp</sub> =25°C)	3 SDCM	0.4020	0.3990	0.00834	0.00408	54.00	1
	6 SDCM	0.4020	0.3990	0.01668	0.00816	54.00	1/A/B/C/D
3900K (T <sub>sp</sub> =25°C)	3 SDCM	0.3811	0.3827	0.00939	0.00402	53.72	1
	6 SDCM	0.3811	0.3827	0.01878	0.00804	53.72	1/A/B/C/D
4000K	3 SDCM	0.3818	0.3797	0.00939	0.00402	53.72	1
	6 SDCM	0.3818	0.3797	0.01878	0.00804	53.72	1/A/B/C/D
4100K (T <sub>sp</sub> =25°C)	3 SDCM	0.3825	0.3953	0.00939	0.00402	53.72	1
	6 SDCM	0.3825	0.3953	0.01878	0.00804	53.72	1/A/B/C/D
4300K	3 SDCM	0.3710	0.3681	0.00939	0.00402	53.72	1
	6 SDCM	0.3710	0.3681	0.01878	0.00804	53.72	1/A/B/C/D

# Product Bin Definitions

CCT	Color Space	Center Point		Major Axis	Minor Axis	Ellipse Rotation Angle	Color Bin
		X	Y				
4900K (Tsp=25°C)	3 SDCM	0.3499	0.3786	0.00822	0.00354	59.62	1
	6 SDCM	0.3499	0.3786	0.01644	0.00708	59.62	1/A/B/C/D
5000K	3 SDCM	0.3447	0.3553	0.00822	0.00354	59.62	1
	6 SDCM	0.3447	0.3553	0.01644	0.00708	59.62	1/A/B/C/D
5100K (Tsp=25°C)	3 SDCM	0.3444	0.3584	0.00822	0.00354	59.62	1
	6 SDCM	0.3444	0.3584	0.01644	0.00708	59.62	1/A/B/C/D
5200K (Tsp=25°C)	3 SDCM	0.3398	0.3573	0.00822	0.00354	59.62	1
	6 SDCM	0.3398	0.3573	0.01644	0.00708	59.62	1/A/B/C/D
DS 5200K (Tsp=25°C)	3 SDCM	0.3419	0.3664	0.00822	0.00354	59.62	1
	6 SDCM	0.3419	0.3664	0.01644	0.00708	59.62	1/A/B/C/D
5600K (Tsp=25°C)	3 SDCM	0.3304	0.3511	0.00746	0.00320	59.09	1
	6 SDCM	0.3304	0.3511	0.01492	0.00640	59.09	1/A/B/C/D
5700K	3 SDCM	0.3287	0.3417	0.00746	0.00320	59.09	1
	6 SDCM	0.3287	0.3417	0.01492	0.00640	59.09	1/A/B/C/D
6400K (Tsp=25°C)	3 SDCM	0.3131	0.3419	0.00669	0.00285	58.57	1
	6 SDCM	0.3131	0.3419	0.01338	0.00570	58.57	1/A/B/C/D
6500K	3 SDCM	0.3123	0.3282	0.00669	0.00285	58.57	1
	6 SDCM	0.3123	0.3282	0.01338	0.00570	58.57	1/A/B/C/D
6600K (Tsp=25°C)	3 SDCM	0.3112	0.3303	0.00669	0.00285	58.57	1
	6 SDCM	0.3112	0.3303	0.01338	0.00570	58.57	1/A/B/C/D
6800K (Tsp=25°C)	3 SDCM	0.3078	0.3326	0.00669	0.00285	58.57	1
	6 SDCM	0.3078	0.3326	0.01338	0.00570	58.57	1/A/B/C/D

Notes for Table 7:

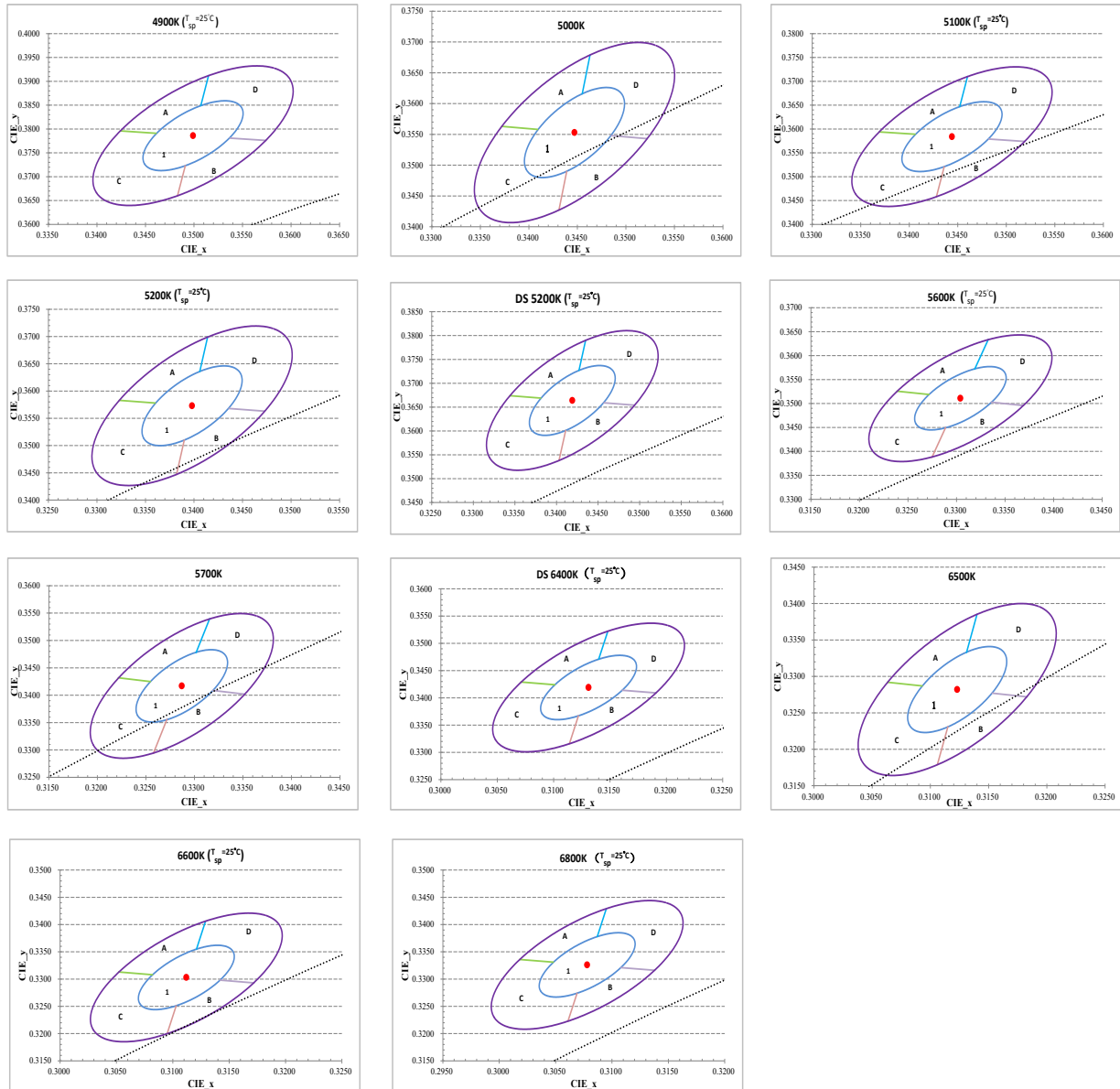
1. Color binning at  $T_{sp}=85^{\circ}\text{C}$  unless otherwise specified.
2. Bridgelux maintains a tolerance of  $\pm 0.007$  on x and y color coordinates in the CIE 1931 color space.

# Product Bin Definitions

**Figure 1: C.I.E. 1931 Chromaticity Diagram (5 Color Bin Structure,  $T_{sp} = 85^\circ\text{C}$ , 2300K/DS 2700K/2800K/2900K /3100K /3400K/3600K/3900K /4100K/4900K/ 5100K /5200K/DS 5200K/5600K/DS 6400K/6600K /6800K at  $T_{sp} = 25^\circ\text{C}$ )**

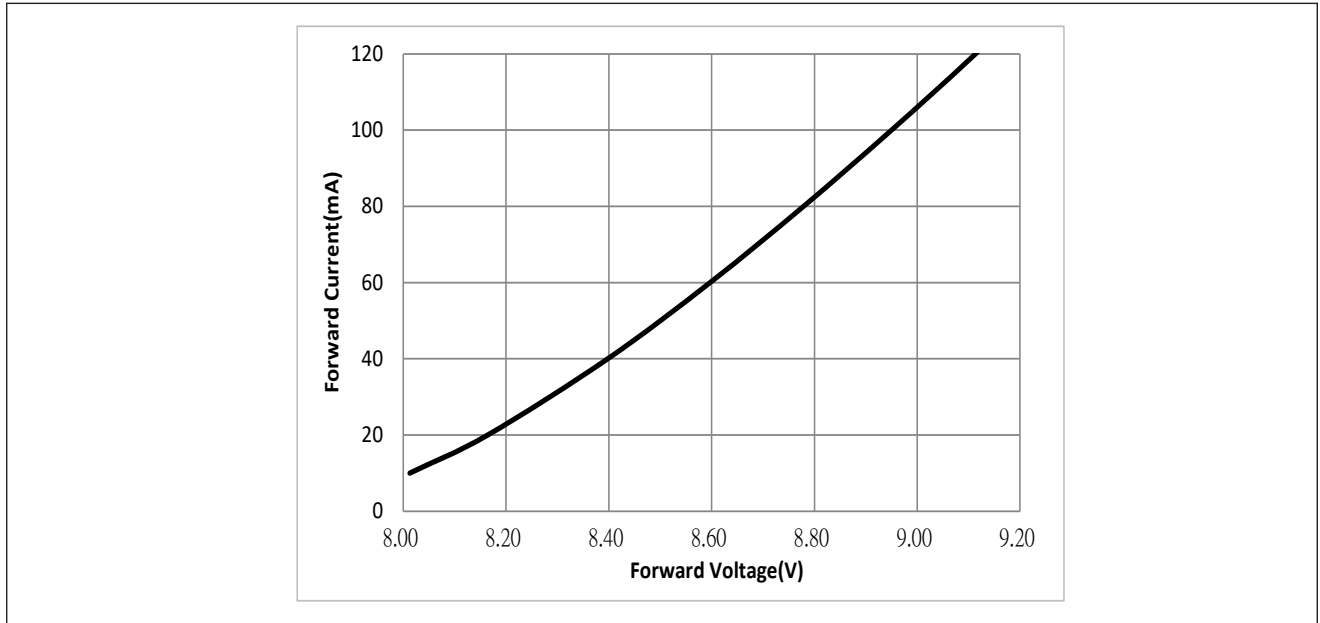


# Product Bin Definitions

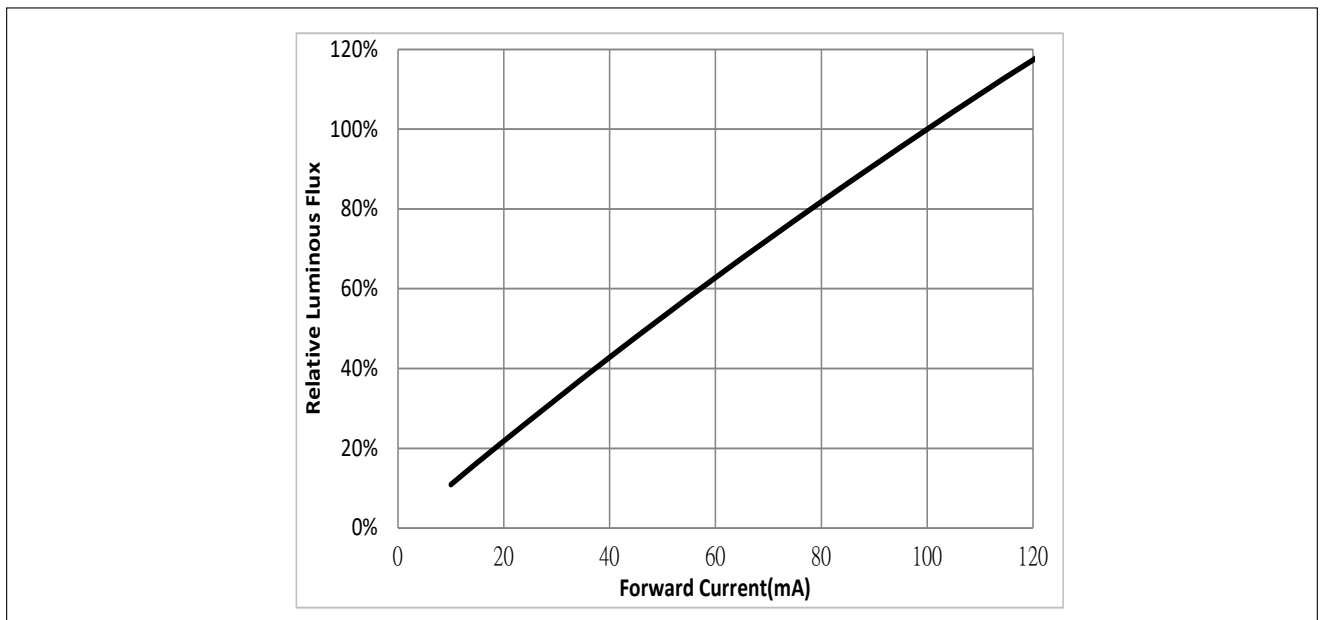


# Performance Curves

**Figure 2: Drive Current vs. Forward Voltage ( $T_{sp}=25^{\circ}\text{C}$ )**



**Figure 3: Typical Relative Luminous Flux vs. Forward Current ( $T_{sp}=25^{\circ}\text{C}$ )**

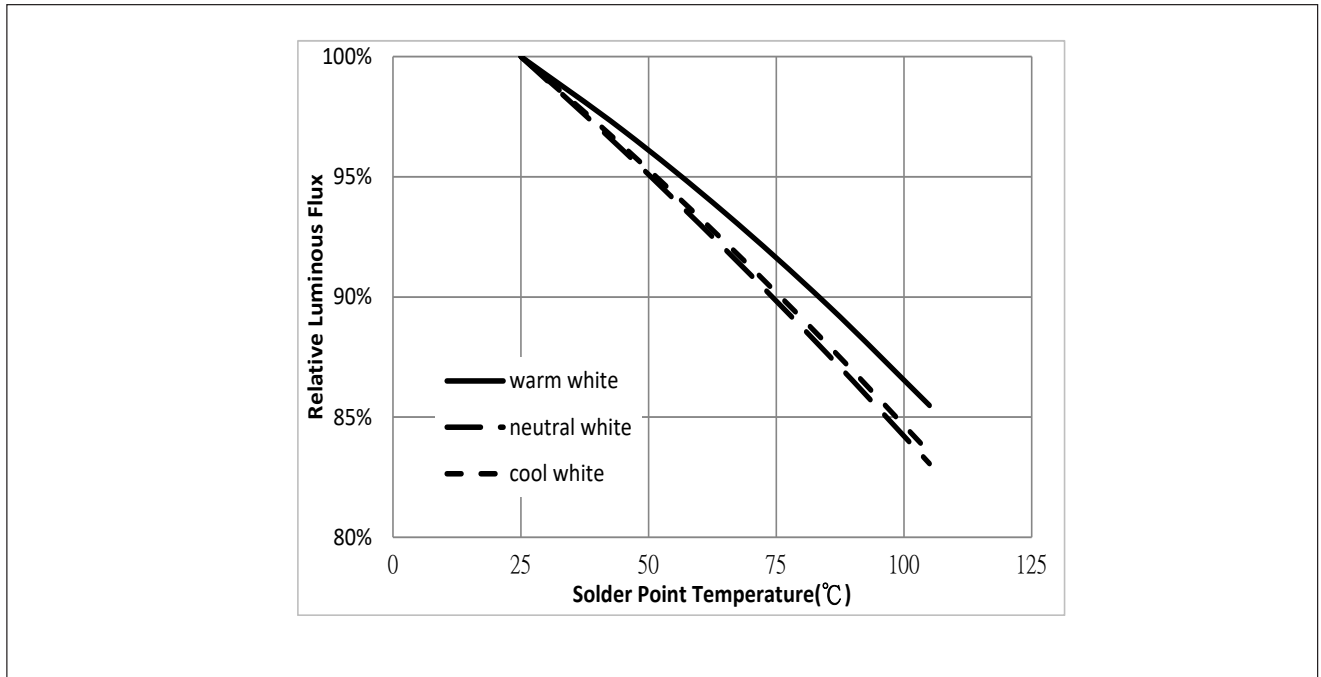


Note for Figure 3:

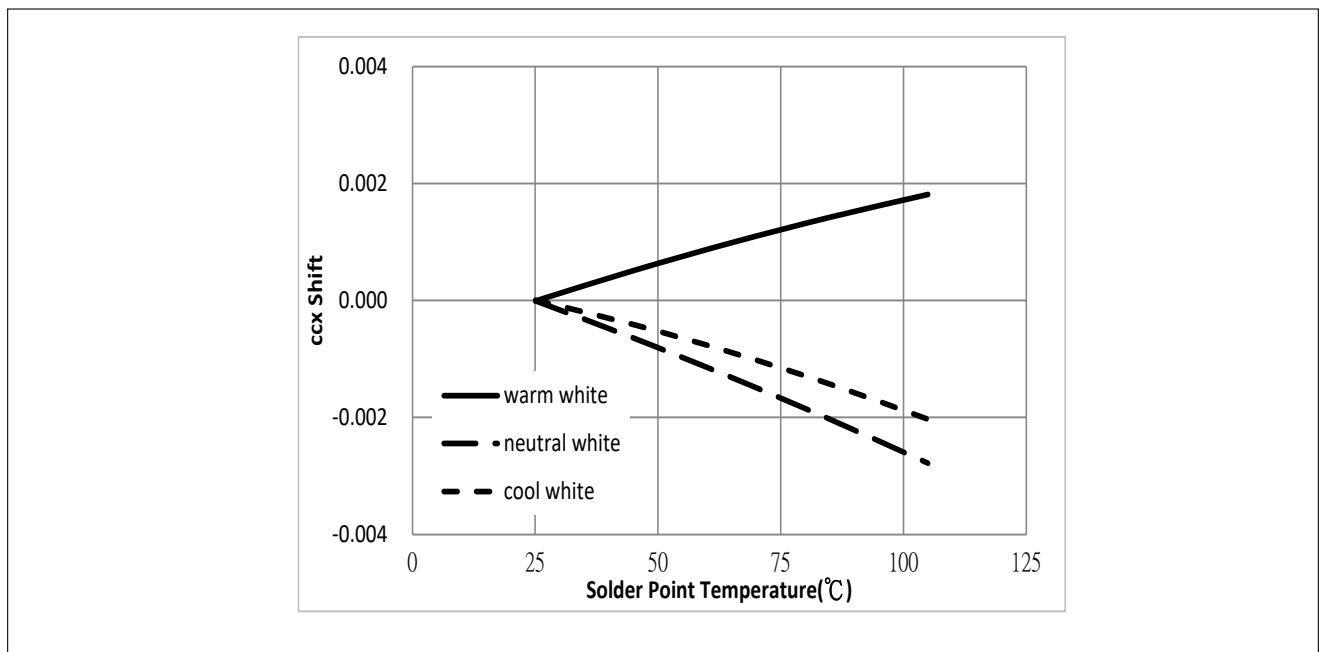
1. Pulse width modulation (PWM) is recommended for dimming effects.

# Performance Curves

**Figure 4: Typical Relative Flux vs. Solder Point Temperature**



**Figure 5: Typical ccx Shift vs. Solder Point Temperature**

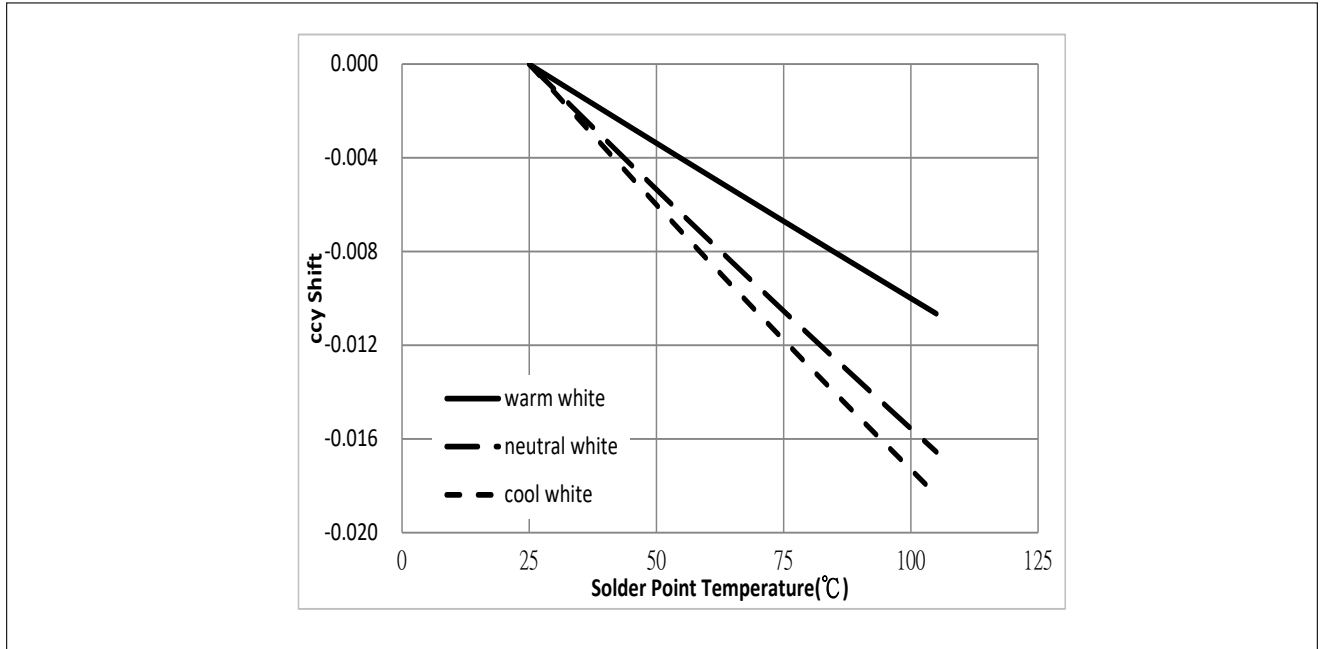


Notes for Figures 4 & 5:

1. Characteristics shown for warm white based on 2700K and 90 CRI.
2. Characteristics shown for neutral white based on 4000K and 90 CRI.
3. Characteristics shown for cool white based on 6500K and 90 CRI.
4. For other color SKUs, the shift in color will vary. Please contact your Bridgelux Sales Representative for more information.

# Performance Curves

**Figure 6: Typical ccy Shift vs. Solder Point Temperature**

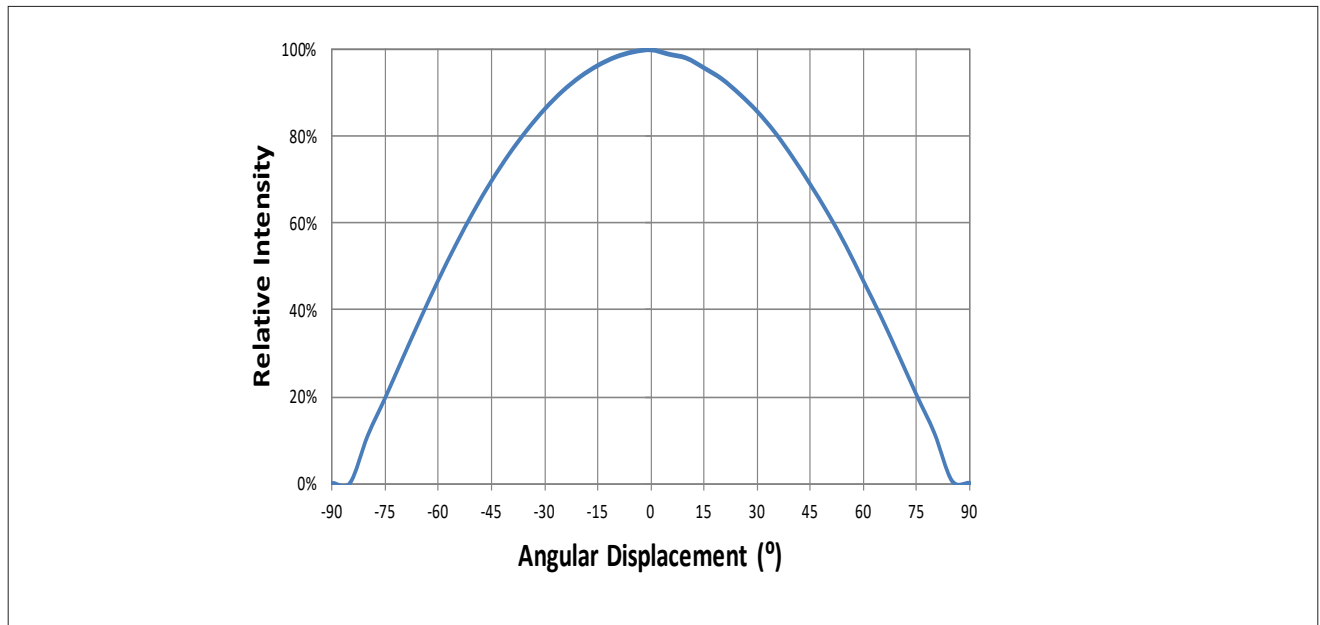


Notes for Figure 6:

1. Characteristics shown for warm white based on 2700K and 90 CRI.
2. Characteristics shown for neutral white based on 4000K and 90 CRI.
3. Characteristics shown for cool white based on 6500K and 90 CRI.
4. For other color SKUs, the shift in color will vary. Please contact your Bridgelux Sales Representative for more information.

# Typical Radiation Pattern

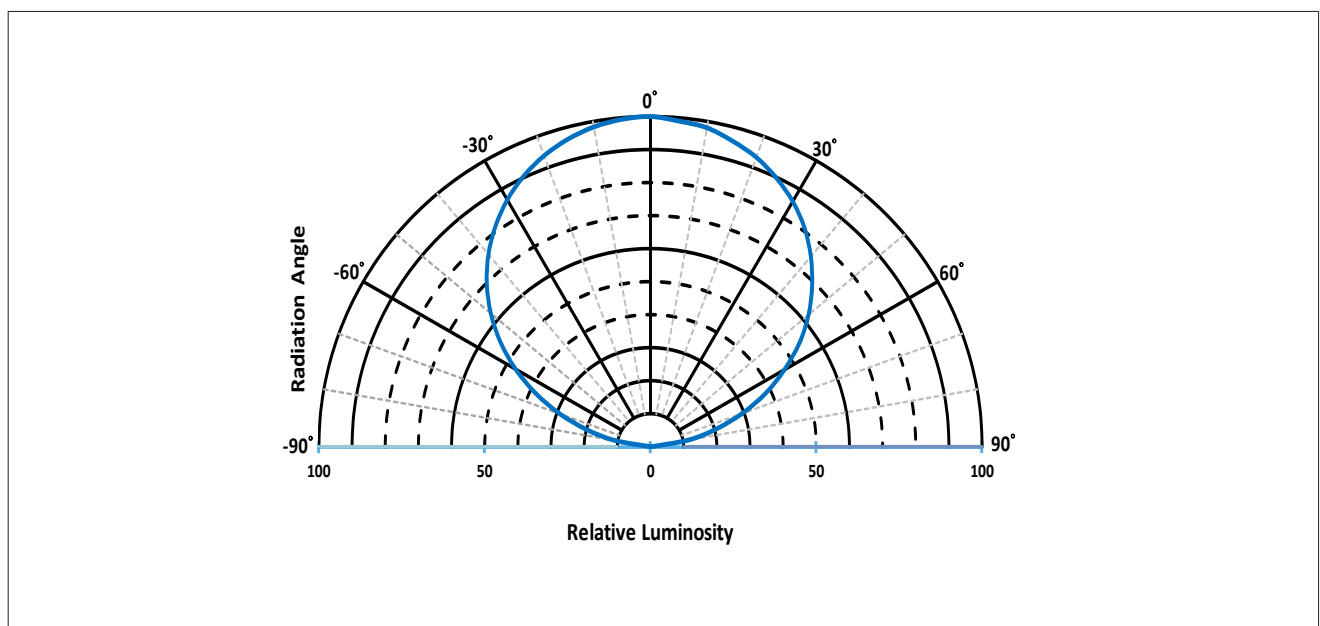
Figure 7: Typical Spatial Radiation Pattern at 100mA,  $T_{sp} = 25^{\circ}\text{C}$



Notes for Figure 7:

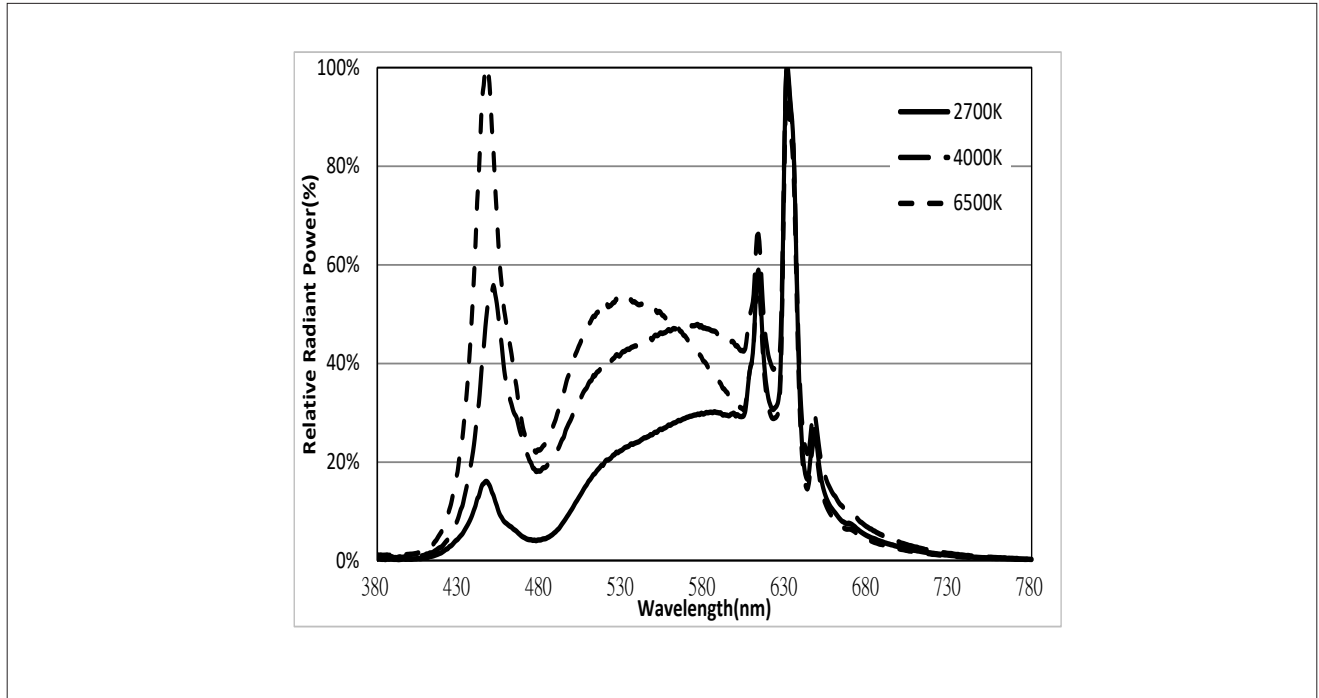
1. Typical viewing angle is  $120^{\circ}$ .
2. The viewing angle is defined as the off axis angle from the centerline where luminous intensity (Iv) is  $\frac{1}{2}$  of the peak value.

Figure 8: Typical Polar Radiation Pattern at 100mA,  $T_{sp} = 25^{\circ}\text{C}$



# Typical Color Spectrum

Figure 9: Typical Color Spectrum

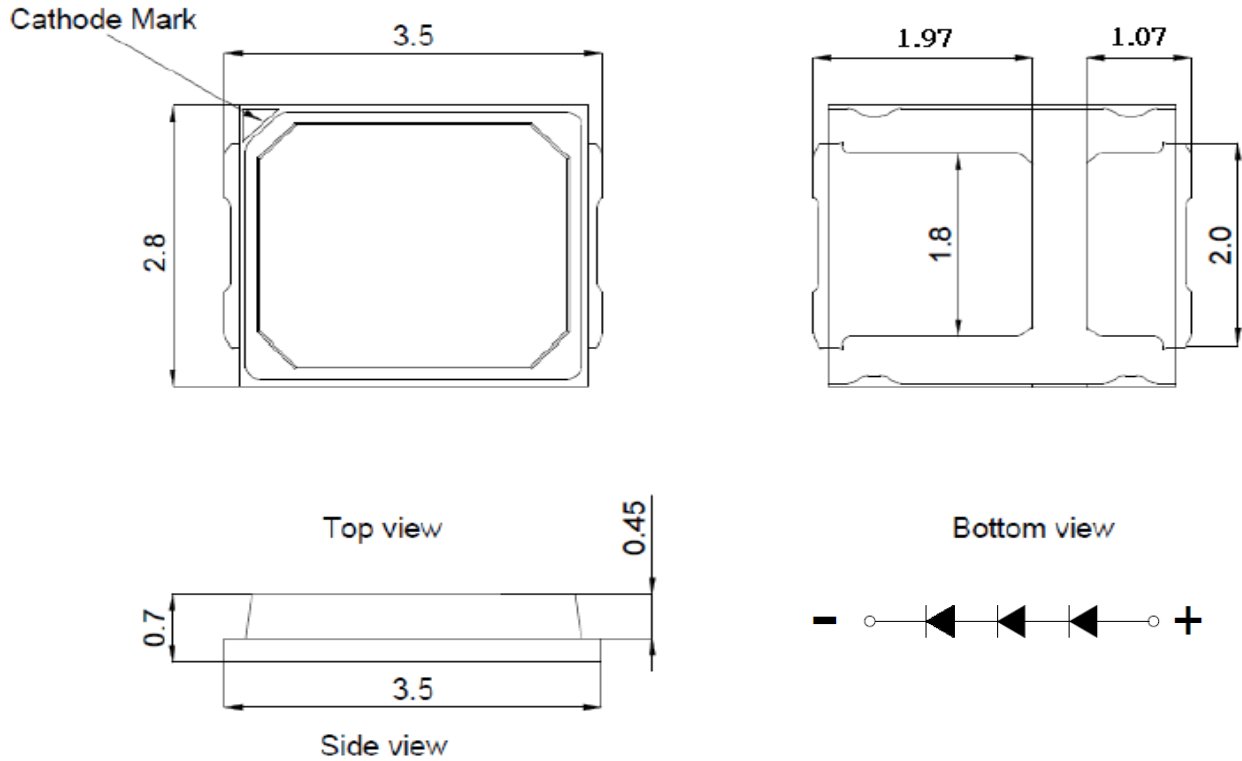


Notes for Figure 9:

1. Color spectra measured at nominal current for  $T_{sp} = 25^{\circ}\text{C}$ .
2. Color spectra shown for 90 CRI products.

# Mechanical Dimensions

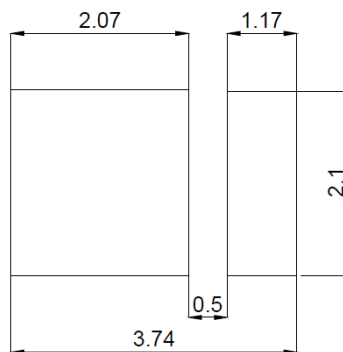
Figure 10: Drawing for SMD 2835



Notes for Figure 10:

1. Drawings are not to scale.
2. Drawing dimensions are in millimeters.
3. Unless otherwise specified, tolerances are  $\pm 0.10\text{mm}$ .

## Recommended PCB Soldering Pad Pattern



# Reliability

**Table 8:** Reliability Test Items and Conditions

No.	Items	Reference Standard	Test Conditions	Drive Current	Test Duration	Units Failed/Tested
1	Moisture/Reflow Sensitivity	J-STD-020E	$T_{\text{sid}} = 260^{\circ}\text{C}$ , 10sec. Precondition: $60^{\circ}\text{C}$ , 60%RH, 168hr	-	3 reflows	0/20
2	Low Temperature Storage	JESD22-A119	$T_{\text{a}} = -40^{\circ}\text{C}$	-	1000 hours	0/20
3	High Temperature Storage	JESD22-A103D	$T_{\text{a}} = 105^{\circ}\text{C}$	-	1000 hours	0/20
4	Low Temperature Operating Life	JESD22-A108D	$T_{\text{a}} = -40^{\circ}\text{C}$	100mA	1000 hours	0/20
5	Temperature Humidity Operating Life	JESD22-A101C	$T_{\text{sp}} = 85^{\circ}\text{C}$ , RH=85%	100mA	1000 hours	0/20
6	High Temperature Operating Life	JESD22-A108D	$T_{\text{sp}} = 105^{\circ}\text{C}$	120mA	1000 hours	0/20
7	Power switching	IEC62717:2014	$T_{\text{sp}} = 105^{\circ}\text{C}$ 30 sec on, 30 sec off	120mA	30000 cycles	0/20
8	Thermal Shock	JESD22-A106B	$T_{\text{a}} = -40^{\circ}\text{C} \sim 100^{\circ}\text{C}$ ; Dwell : 15min; Transfer: 10sec	-	200 cycles	0/20
9	Temperature Cycle	JESD22-A104E	$T_{\text{a}} = -40^{\circ}\text{C} \sim 100^{\circ}\text{C}$ ; Dwell at extreme temperature: 15min; Ramp rate < $105^{\circ}\text{C}/\text{min}$	-	200 cycles	0/20
10	Electrostatic Discharge	JS-001-2012	HBM, 2kV, 15k $\Omega$ , 100pF. Alternately positive or negative	-	-	0/20

## Passing Criteria

Item	Symbol	Test Condition	Passing Criteria
Forward Voltage	Vf	100mA	$\Delta V_f < 10\%$
Luminous Flux	Fv	100mA	$\Delta F_v < 30\%$
Chromaticity Coordinates	(x, y)	100mA	$\Delta u'v' < 0.007$

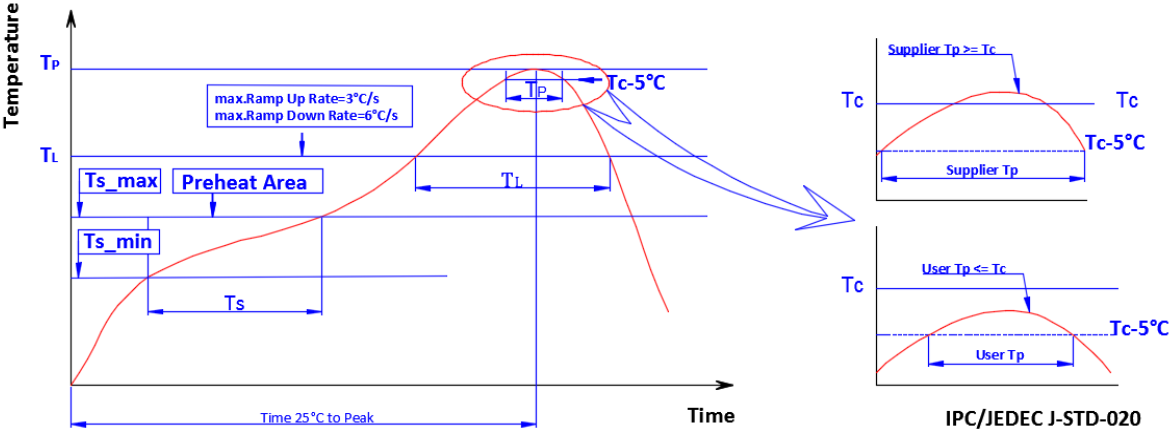
Notes for Table 8:

1. Measurements are performed after allowing the LEDs to return to room temperature

2.  $T_{\text{sid}}$  : reflow soldering temperature;  $T_{\text{a}}$  : ambient temperature

# Reflow Characteristics

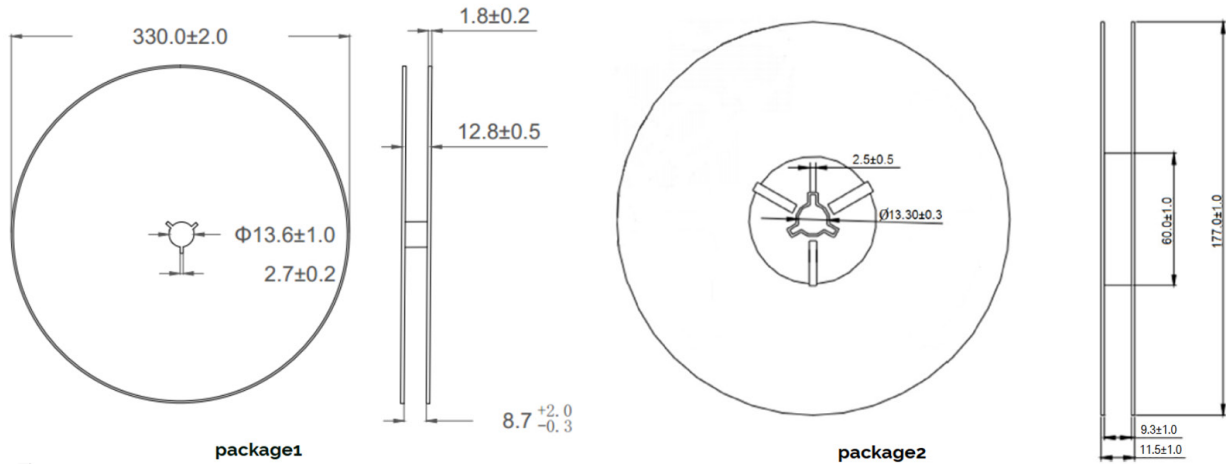
Figure 11 : Reflow Profile (Reflow frequency 2 times max)



Profile Feature	Lead Free Assembly
Temperature Min. ( $T_{s\_min}$ )	160°C
Temperature Max. ( $T_{s\_max}$ )	205°C
Time (ts) from $T_{s\_min}$ to $T_{s\_max}$	60-150 seconds
Ramp-Up Rate (TL to $T_p$ )	3 °C/second
Liquidus Temperature (TL)	220 °C
Time (TL) Maintained Above TL	60-150 seconds
Peak Temp( $T_p$ )	260 °C max 10 sec
Time ( $T_p$ ) Within 5 °C of the Specified Classification Temperature ( $T_c$ )	25 seconds max.
Ramp-Down Rate ( $T_p$ to TL)	5 °C/second max.
Time 25 °C to Peak Temperature	10 minutes max.

# Packaging

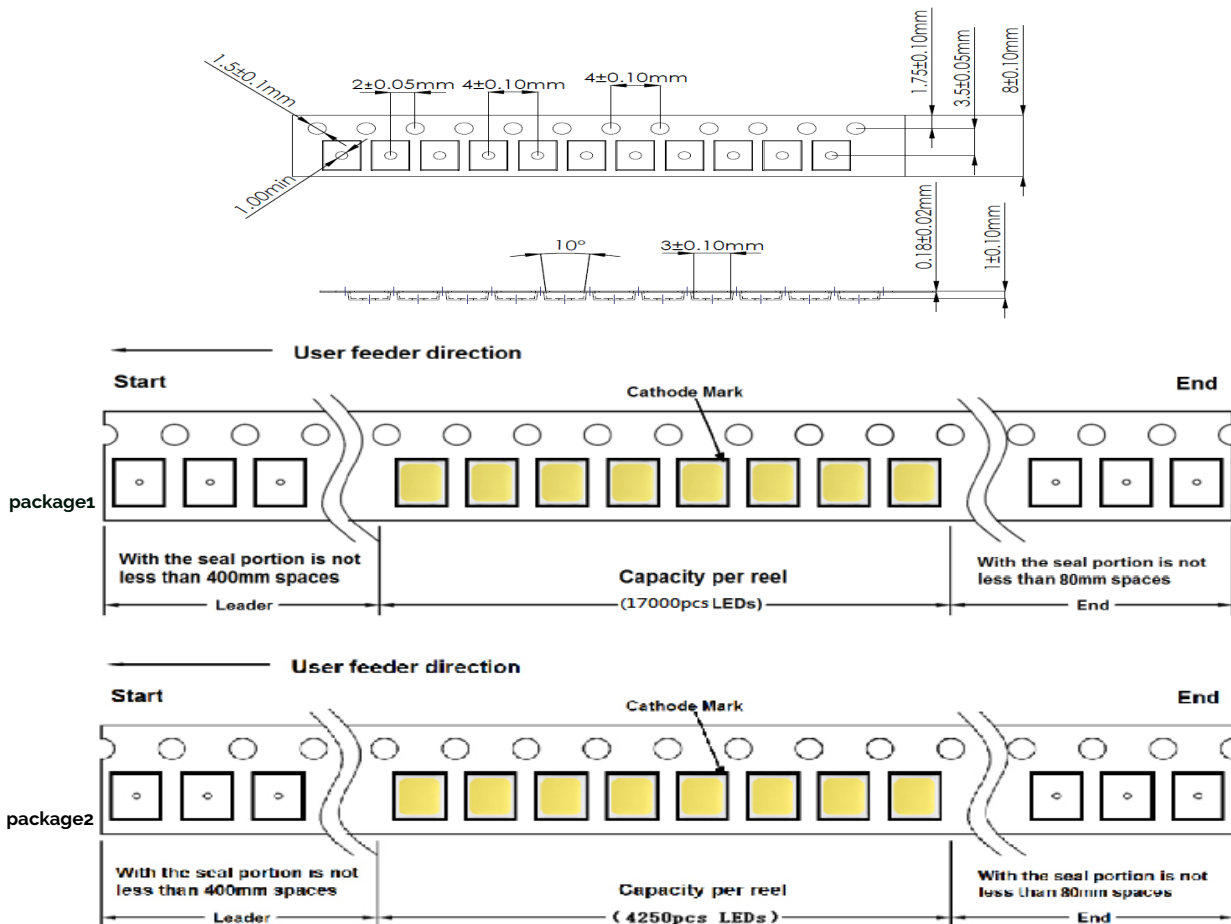
**Figure 12: Emitter Reel Drawings**



Note for Figure 12:

1. Drawings are not to scale. Drawing dimensions are in millimeters.

**Figure 13: Emitter Tape Drawings**

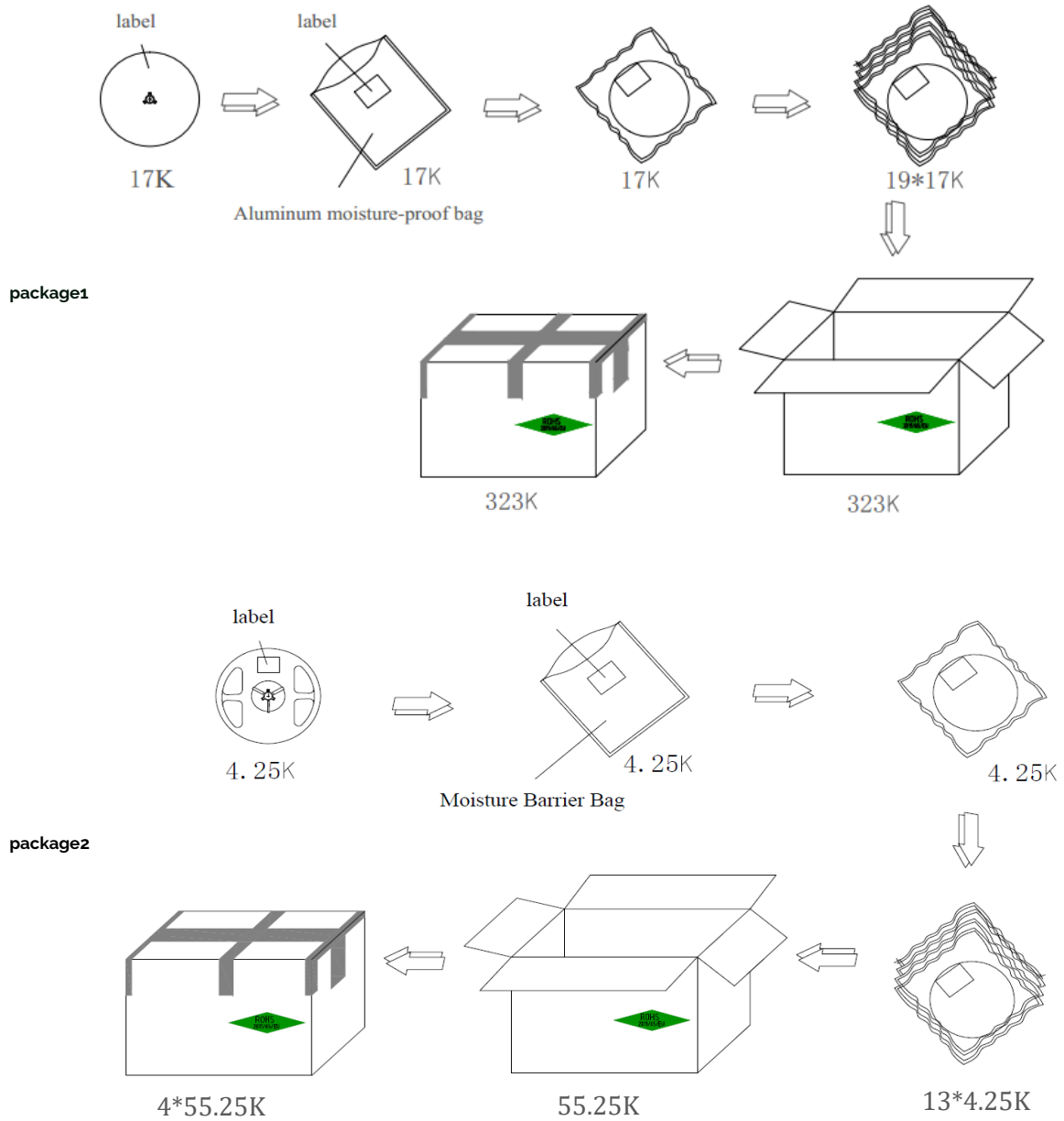


Note for Figure 13:

1. Drawings are not to scale. Drawing dimensions are in millimeters.

# Packaging

Figure 14: Emitter Reel Packaging Drawings



Note for Figure 14:  
1. Drawings are not to scale.

# Design Resources

Please contact your Bridgelux sales representative for assistance.

## Precautions

### CAUTION: CHEMICAL EXPOSURE HAZARD

Exposure to some chemicals commonly used in luminaire manufacturing and assembly can cause damage to the LED emitter. Please consult Bridgelux Application Note AN51 for additional information.

### CAUTION: EYE SAFETY

Eye safety classification for the use of Bridgelux SMD LED emitter is in accordance with IEC specification EN62471: Photobiological Safety of Lamps and Lamp Systems. SMD LED emitters are classified as Risk Group 1 when operated at or below the maximum drive current. Please use appropriate precautions. It is important that employees working with LEDs are trained to use them safely.

### CAUTION: RISK OF BURN

Do not touch the SMD LED emitter during operation. Allow the emitter to cool for a sufficient period of time before handling. The SMD LED emitter may reach elevated temperatures such that could burn skin when touched.

## CAUTION

### CONTACT WITH LIGHT EMITTING SURFACE (LES)

Avoid any contact with the LES. Do not touch the LES of the emitter or apply stress to the LES (yellow phosphor resin area). Contact may cause damage to the emitter

Optics and reflectors must not be mounted in contact with the LES (yellow phosphor resin area).

## Disclaimers

### MINOR PRODUCT CHANGE POLICY

The rigorous qualification testing on products offered by Bridgelux provides performance assurance. Slight cosmetic changes that do not affect form, fit, or function may occur as Bridgelux continues product optimization.

### STANDARD TEST CONDITIONS

Unless otherwise stated, LED emitter testing is performed at the nominal drive current.

# About Bridgelux: Bridging Light and Life™

At Bridgelux, we help companies, industries and people experience the power and possibility of light. Since 2002, we've designed LED solutions that are high performing, energy efficient, cost effective and easy to integrate. Our focus is on light's impact on human behavior, delivering products that create better environments, experiences and returns—both experiential and financial. And our patented technology drives new platforms for commercial and industrial luminaires.

**For more information about the company, please visit**  
**bridgelux.com**  
**twitter.com/Bridgelux**  
**facebook.com/Bridgelux**  
**youtube.com/user/Bridgelux**  
**WeChat ID: BridgeluxInChina**  
**[https://www.linkedin.com/company/bridgelux-inc-\\_2](https://www.linkedin.com/company/bridgelux-inc-_2)**



46410 Fremont Boulevard  
Fremont, CA 94538 USA  
Tel (925) 583-8400  
Fax (925) 583-8401  
**[www.bridgelux.com](http://www.bridgelux.com)**

© 2024 Bridgelux, Inc. All rights reserved 2024. Product specifications are subject to change without notice. Bridgelux and the Bridgelux stylized logo design are registered trademarks of Bridgelux, Inc. All other trademarks are the property of their respective owners.