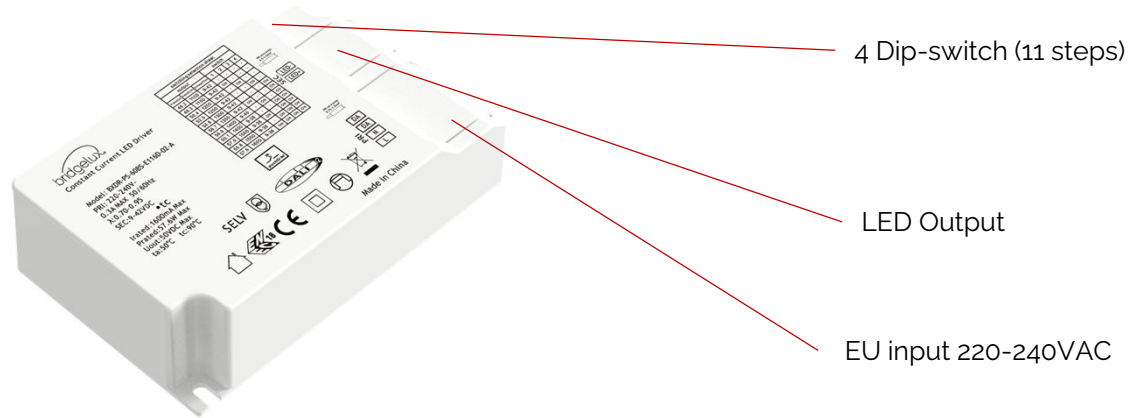


# Bridgelux® Pallas-D Single Channel 60W (DALI-2) Brick Driver

Product Data Sheet DS1263

# Product Feature Map

Bridgelux Pallas-D (DALI) Single Channel 60W Driver provides dynamic constant current output for LED modules and arrays. This Driver interoperates with DALI-2 standard lighting systems and protocols and allows for simple integration of Bridgelux's and all major brands White Arrays and Linear modules. Please visit [www.bridgelux.com](http://www.bridgelux.com) for more information.



## Product Nomenclature

The part number designation for Bridgelux Pallas-D (DALI) Single Channel 60W Driver is explained as follows:

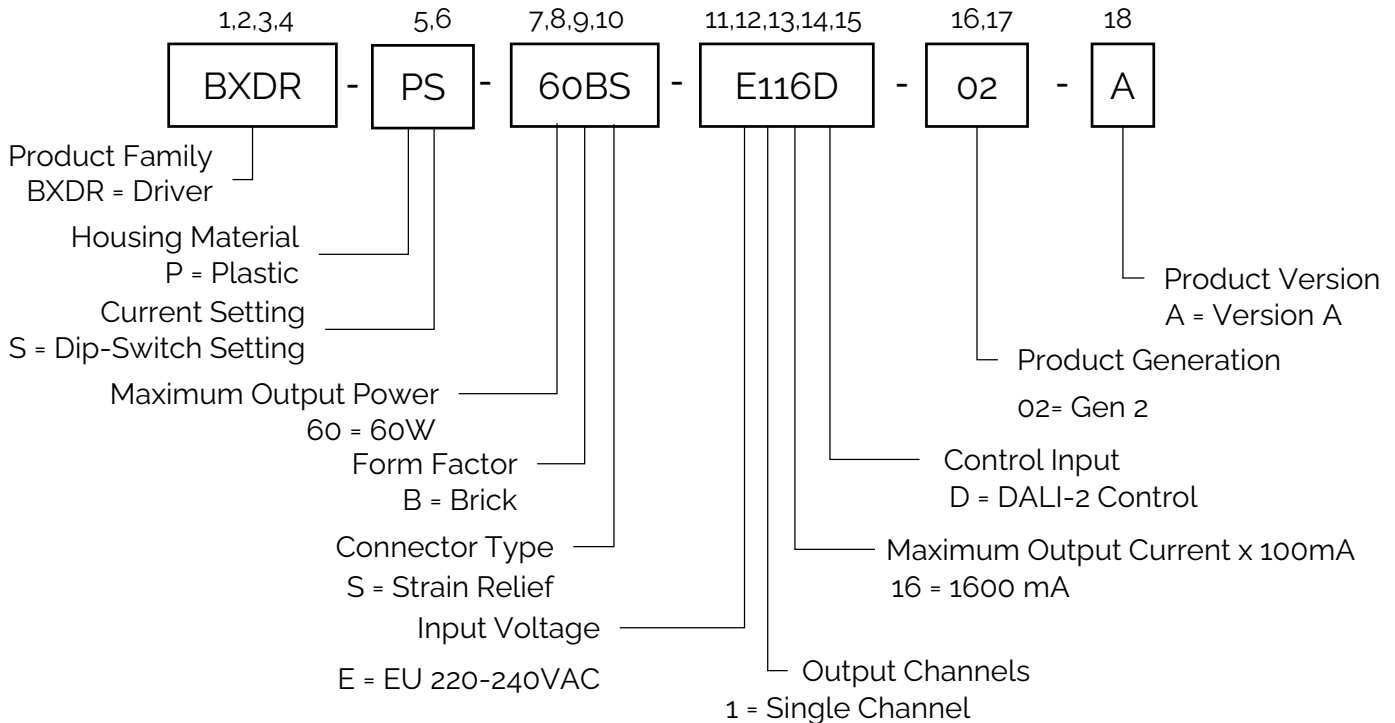


Table 1: Product Selection Guide

Part Number	Configuration
BXDR-PS-60BS-E116D-02-A	Brick with terminal block

# Electrical Characteristics

Table 2: Input Electrical Characteristics

Parameter	Unit	Specification
Nominal voltage	V	220 – 240
Nominal frequency	Hz	0/50 / 60
AC voltage range	V	198 – 264
DC voltage range	V	198 - 264
Nominal current	A	0.38
Power factor (Full load)	-	≥ 0.95
THD (Full load)	%	≤ 15
Efficiency (Full load)	%	≥ 88
NO load	W	≤ 0.5
Protection class	-	I, II

Table 3: Output Electrical Characteristics

Parameter	Unit	Specification
Nominal voltage range	V	9-42V
Maximum voltage(Open Circuit)	Vdc	≤ 59
Nominal current	mA	1100   1150   1200   1250   1300   1350   1400   1450   1500   1550   1600
Current accuracy	%	+/- 5
Dimming		Yes DALI-2 ( IEC 62386-101,102,207 ) & Push Dim
Dimming Range		1% - 100%
Current ripple LF < 3KHz	%	≤ 5
Pst LM	-	≤ 0.05
SVM	-	≤ 0.01
Maximum power	W	67
Galvanic isolation	-	SELV

# Electrical Characteristics

Figure 1: Power Factor vs. Load

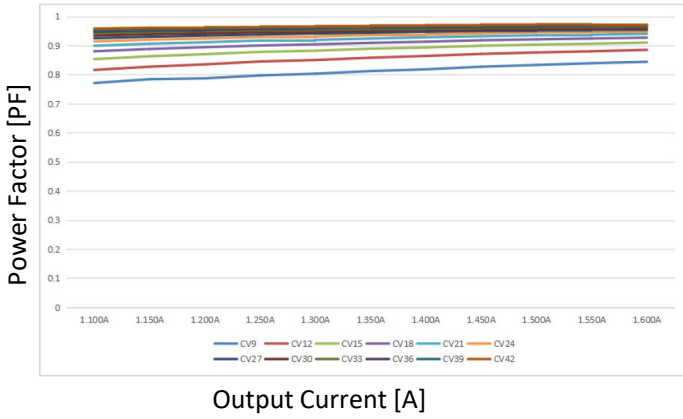


Figure 2: Total Harmonic Distortion vs. Load

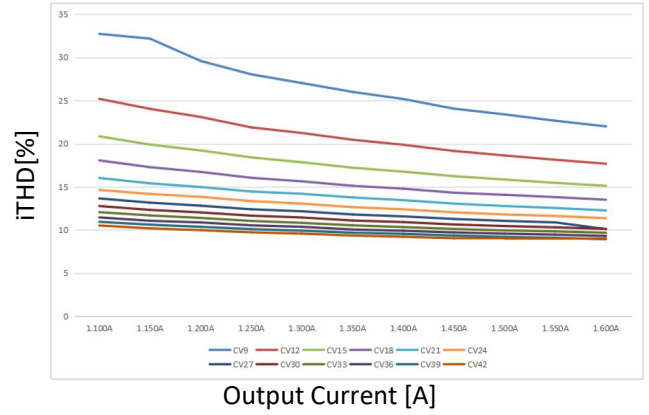


Figure 3: Efficiency vs. Load

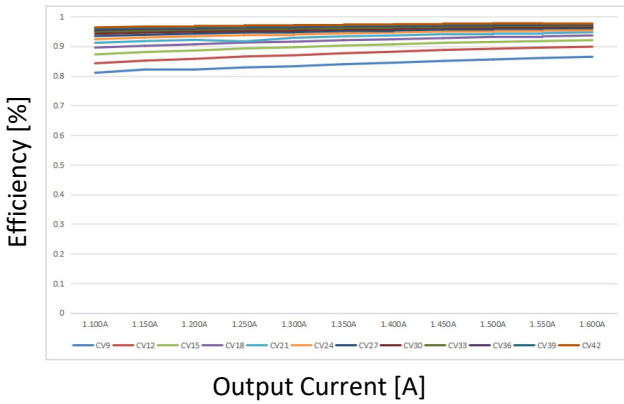
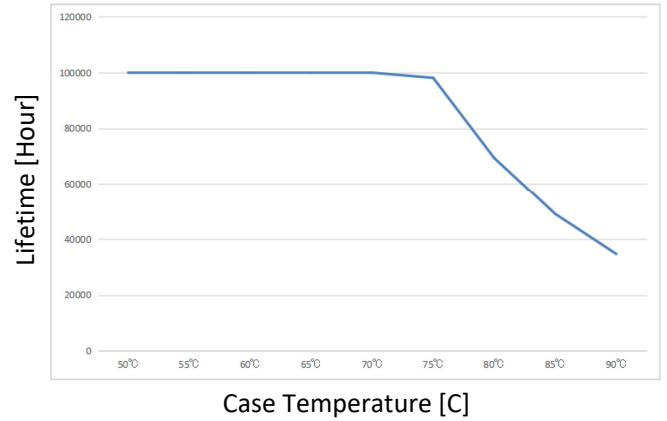


Figure 4: Expected Life Time

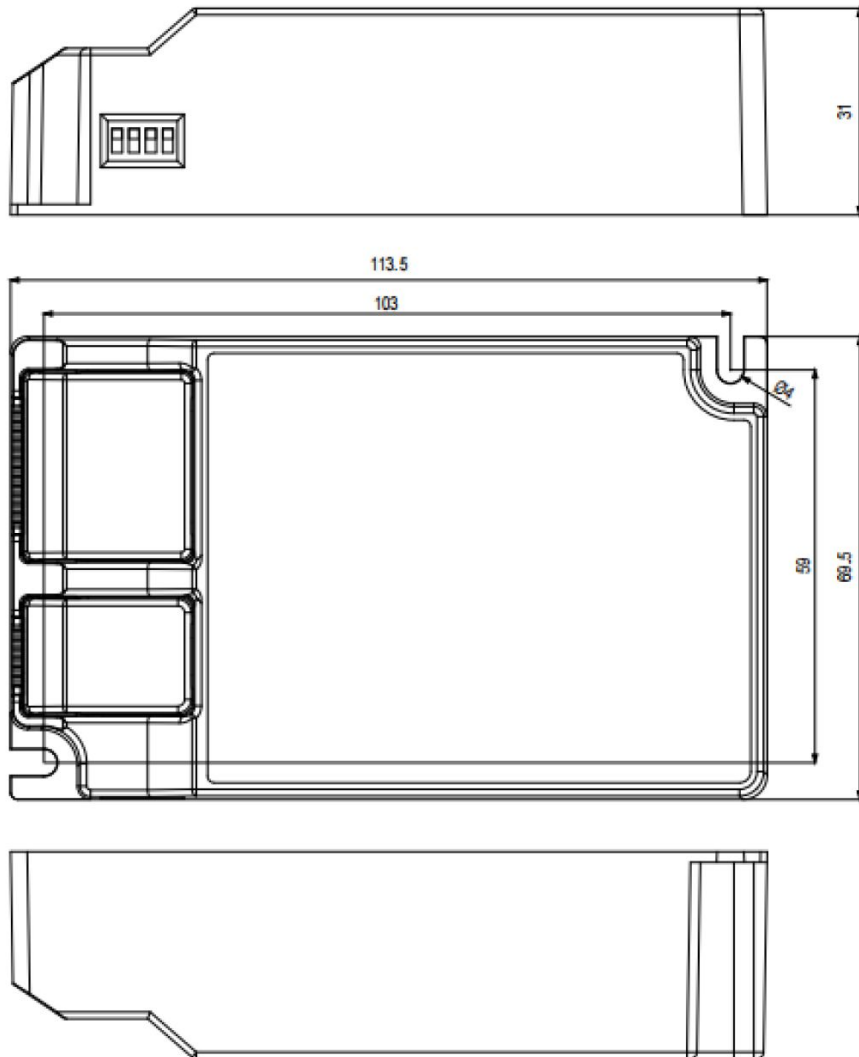


# Mechanical Characteristics

Table 4: Product Mechanical data

Characteristics	Specification
Dimensions	113.5 mm (L) x 69.5 mm (W) x 31.0 mm (H)
Enclosure Materials	PC Plastic
Weight	188 g
Ingress Protection	IP20

Figure 5: Mechanical Drawing



Notes for Figure 5:

1. Drawing dimensions are in millimeters
2. Unless otherwise specified, all linear tolerances are +/-1.0mm

## DIP-switch operation instructions & operating window

Table 5: Dip-switch operation instructions & operating window

Dip-switch setting				$U_{out}$	$I_{out}$
1	2	3	4		
-	-	-	-	9 -42V	1100 mA
ON	-	-	-	9 -42V	1150 mA
-	ON	-	-	9 -42V	1200 mA
-	-	ON	-	9 -42V	1250 mA
-	-	-	ON	9 -42V	1300 mA
ON	-	-	ON	9 -42V	1350 mA
-	ON	-	ON	9 -42V	1400 mA
-	-	ON	ON	9 -42V	1450 mA
ON	-	ON	ON	9 -42V	1500 mA
-	ON	ON	ON	9 -42V	1550 mA
ON	ON	ON	ON	9 -42V	1600 mA (default)

# Wiring Diagram

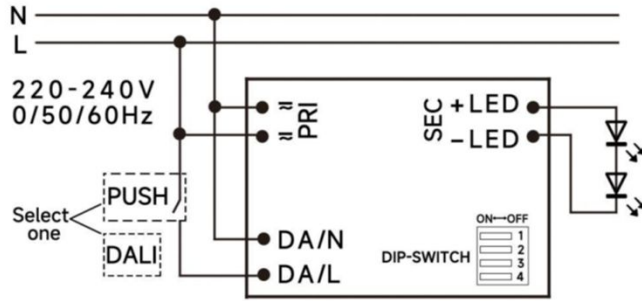


Table 6: **Wiring**

	Specification item	Value
PRI	Cable cross-section	0.75 - 1.5 mm <sup>2</sup> / AWG 20 - 16
	Stripping	6 - 7 mm
SEC	Cable cross-section	0.75 - 1.5 mm <sup>2</sup> / AWG 20 - 16
	Stripping	6 - 7 mm

Notes for Table 6:

1. Unless otherwise specified, all linear tolerances are +/-1.0mm

# Packaging

Table 7: **Packaging Box Configuration - BXDR-PS-60BS-E116D-02-A**

Parameters	Specification
Driver quantity	TBD
Outer dimensions	TBD
Weight	TBD

# Environmental and Regulatory Standards

Table 8: Environmental Conditions

Parameter	Specification
Ambient Operating Temperature	-20°C to + 50°C
Max. Case Temperature Tc	+90°C (max)
Max. Case Temperature (In fault condition)	+110°C
Humidity Rating	Maximum 90% Relative Humidity, non condensing
Storage Temperature	-40°C to + 80°C
Expected Lifetime	> 50,000 hours (Tc < 75°C)

Table 9: Regulatory Approvals and Compliance

Specification	Reference Standard	Condition
DC or AC supplied electronic controlgear for LED modules	EN 62384:2006/A1:2009	electronic controlgear for use on DC or AC supplies up to 1 000 V (alternating current at 50 Hz or 60 Hz) and with an output frequency which can deviate from the supply frequency
Conducted and Radiated EMI	EN 55015:2019+A1:2020 (CISPR 15:2018)	
Harmonic Current Emissions	EN IEC 61000-3-2:2014	
Voltage Fluctuations & Flicker	IEC 61000-3-3:2013	
ESD (Electrostatic Discharge)	IEC 61547:2009 Section 5.2 Test des.: IEC 61000-4-2	4 kV contact discharge, 8 kV air discharge, level 3
Continuous Radiated Disturbance	IEC 61547:2009 Section 5.3 Test des.: IEC 61000-4-3	3 V/m, 80 - 1000 MHz, 80% modulated at distance of 3 meters
Electrical Fast Transient	IEC 61547:2009 Section 5.5 Test des.: IEC 61000-4-4	± 1 kV on AC power port for 1 minute,
Surge	IEC 61547 Section 5.7 Test des.: IEC 61000-4-5	± 1 kV (differential mode)
Continuous Conducted Disturbance	IEC 61547:2009 Section 5.6 Test des.: IEC 61000-4-6	3V, 0.15-80 MHz, 80% modulated, Level 2
Voltage Dips	IEC 61547 Section 5.8, 5.9 Test des.: IEC 61000-4-11	70% dip during 25 cycles @ 50Hz, 30 cycles @ 60Hz 0% dip during ½ cycles

## Regulatory Standards (continued)

Table 10: Safety Agency Approvals

Specification	Reference Standard	Condition
*ENEC / CE / UKCA	EN 61347-1:2015, EN 61347-2-13:2014/A1:2017	
Glow wire test	EN 61347-1:2015	Passed with increased temperature at 650°C

Table 11: DALI-2 DT6 Standards

Specification	Reference Standard	Condition
System Components (Part 101)	EN62386-101	
Control Gear (Part 102)	EN62386-102	
LED Module (Part 207)	EN62386-207	



## Protection

Table 12: Protection

Parameters	Specification
Over Load Protection	103% - 120% Yes / Auto Resume
Short Circuit Protection	Yes / Auto Resume
Over-Temperature	Yes / Auto Resume

# Design Resources

## Application Notes

Please contact your Bridgelux sales representative for assistance on obtaining application support when designing with the Bridgelux Pallas-D Single Channel Driver. For a list of available resources, visit [www.bridgelux.com](http://www.bridgelux.com).

# Precautions

## CAUTION: PRODUCT HANDLING

Handle the Pallas-D Single Channel Driver with care to prevent any damage from mechanical shock. It is recommended to handle this driver in a static-free environment. To maintain product warranty, the product must not be opened or disassembled and the installer must ensure that the driver's operating conditions do not exceed the maximum conditions stated within this data sheet.

## CAUTION: PRODUCT INSTALLATION

Incorrect installation of the Pallas-D Single Channel Driver can cause irreparable damage to the driver, connected LEDs. Pay attention when connecting the LED load and observe the correct polarity of the output terminals as specified in this data sheet and on the driver label. Hot plug-in or secondary switching of LEDs is not permitted and may cause a very high current to the LEDs.

## CAUTION: ELECTRIC SHOCK

Be aware of the possibility of an electric shock hazard which can result in serious injury or death. Disconnect power before servicing or installing this device.

# Disclaimers

## MINOR PRODUCT CHANGE POLICY

The rigorous qualification testing on products offered by Bridgelux provides performance assurance. Slight cosmetic changes that do not affect form, fit, or function may occur as Bridgelux continues product optimization.

## About Bridgelux: Bridging Light and Life™

At Bridgelux, we help companies, industries and people experience the power and possibility of light. Since 2002, we've designed LED solutions that are high performing, energy efficient, cost effective and easy to integrate. Our focus is on light's impact on human behavior, delivering products that create better environments, experiences and returns—both experiential and financial. And our patented technology drives new platforms for commercial and industrial luminaires.

For more information about the company, please visit

[bridgelux.com](http://bridgelux.com)

[twitter.com/Bridgelux](https://twitter.com/Bridgelux)

[facebook.com/Bridgelux](https://facebook.com/Bridgelux)

[youtube.com/user/Bridgelux](https://youtube.com/user/Bridgelux)

[linkedin.com/company/bridgelux](https://linkedin.com/company/bridgelux)

WeChat ID: BridgeluxInChina



46410 Fremont Blvd

Fremont, CA 94538 USA

Tel (925) 583-8400

[www.bridgelux.com](http://www.bridgelux.com)