



Bridgelux® Solderless Holder for RGBW Array

Product Data Sheet DS1341



Introduction

Solderless Holder



Bridgelux Solderless Holder Assemblies provide ultimate convenience for simple and reliable solderless connections to Bridgelux's D10 and D13 RGBW LED Arrays.

Bridgelux Solderless Holder is a revolutionary light source system that integrates Bridgelux's RGBW Array technology with poke-in connectivity enabling solder-free installation. Bridgelux Solderless Holder and LED light sources streamline assembly processes, lower manufacturing cost, simplify luminaire design, improve light quality and increase design flexibility.

The harness system provides fast and solderless connections to D10 and D13 RGBW LED arrays which greatly improves production throughput and minimizes possible connection related defect and damage.

Features

- Vertical snap-to-mate connection
- Positive-lock latching feature
- Gold-plated contacts
- Halogen-free UL94V-0

Benefits

- Minimizes handling of arrays during installation, greatly reducing the possibility of damage.
- Enables a fast, easy and reliable holder to the RGBW LED array
- Provides a slim design for space-limited applications. Minimizes risk of affecting light output
- Highly reliable, low contact resistance
- Meets RoHS requirements and is UL-flammability rated
- Provides design flexibility



Contents

Product Feature Map	2
Product Nomenclature	2
Product Selection Guide	3
Mechanical Dimensions	4
Product Specifications	5
Packaging and Specification	5
Design Resources	6
Disclaimers	6
About Bridgelux	7

Product Feature Map

Bridgelux Solderless Holder is available for two different Array sizes—D10 RGBW (PN: BXRV-D10-RGBW2000-A3) and D13 RGBW (PN: BXRV-D13-RGBW3000-A3) includes several features to simplify the design integration and manufacturing process.

Easy Two-Step Assembly Process



Step 1. Check the connectors side.



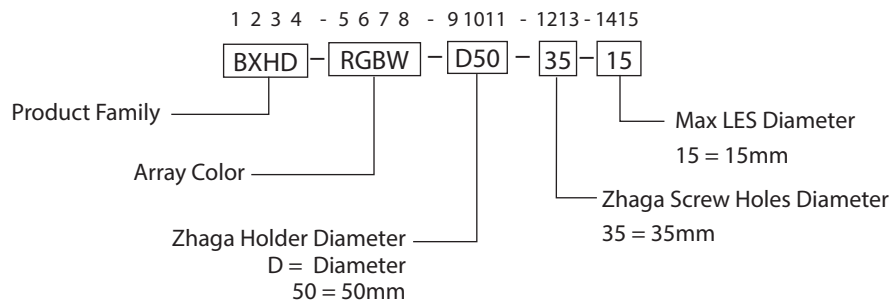
Step 2. Align the Array and push straight down to holder cavity, face the side with connectors toward the opening of the holder.



Completed Array and holder

Product Nomenclature

The part number designation for Bridgelux Solderless Holder Assemblies is explained as follows.



Product Selection Guide

The following product configurations are available:

Table 1: Selection Guide

Bridgelux Holder Part Number	Holder Max LES (mm)	Array Size (mm x mm)	Bridgelux Arrays	Bridgelux Arrays Part Number
BXHD-RGBW-D50-35-15	15	24.2x29.7	RGBW D10	BXRV-D10-RGBW2000-A3
			RGBW D13	BXRV-D13-RGBW3000-A3

Note for Table 1:

1. Additional holder designs can be requested. Consult sales for more information.

Table 2:List of suitable conductor types, wire sizes and maximum insulation diameter

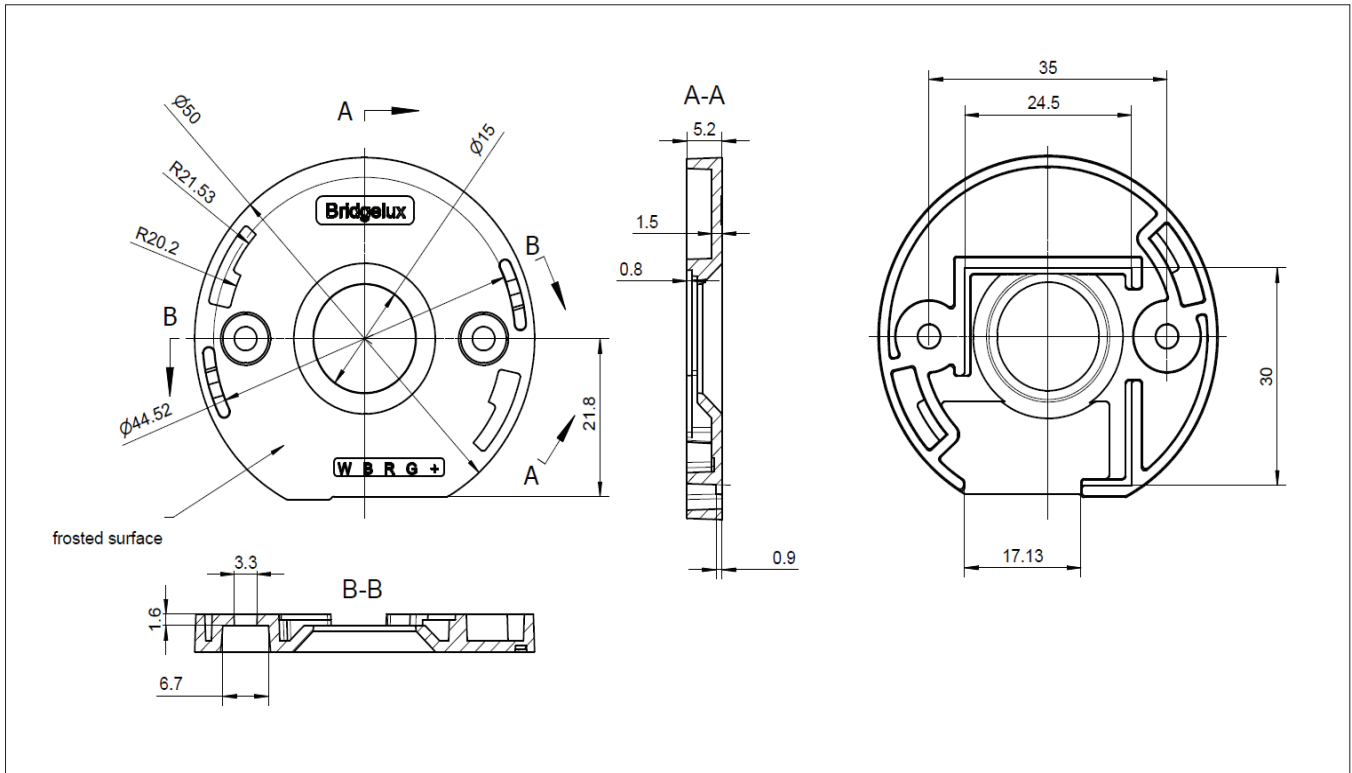
Conductor Type	Wire Size	Insulation Diameter (mm)
Solid,Stranded and tinned,or Stranded	AWG22	2.1mm maximum
	AWG20	
	AWG18	
	0.34mm ²	
	0.50mm ²	
	0.75mm ²	

Note for Table 2:

1. Additional holder designs can be requested. Consult Sales for more information

Mechanical Dimensions

Figure 1: Mechanical Drawing Specifications



Notes for Figure 1:

1. Drawings are not to scale.
2. Drawing dimensions are in millimeters.
3. Unless otherwise specified, tolerances are ± 0.15 mm.
4. Holder labeled "W B R G +" denotes White, Blue, Red, Green and Positive contacts.
5. Bridgelux maintains a flatness of 0.10mm across the mounting surface of the array.

Product Specifications

Reference Information

Packaging: Trays inside box

Fire rating : V0

RoHS: Yes

Electrical

Voltage (max.): 72V

Current (max.):3.6A

Design Resources

Application Notes

Bridgelux has developed a comprehensive set of application notes and design resources to assist customers in successfully designing with the RGBW Array product family. For all available application notes visit www.bridgelux.com.

Disclaimers

MINOR PRODUCT CHANGE POLICY

The rigorous qualification testing on products offered by Bridgelux provides performance assurance. Slight cosmetic changes that do not affect form, fit, or function may occur as Bridgelux continues product optimization.

About Bridgelux: Bridging Light and Life™

At Bridgelux, we help companies, industries and people experience the power and possibility of light. Since 2002, we've designed LED solutions that are high performing, energy efficient, cost effective and easy to integrate. Our focus is on light's impact on human behavior, delivering products that create better environments, experiences and returns—both experiential and financial. And our patented technology drives new platforms for commercial and industrial luminaires.

For more information about the company, please visit
bridgelux.com
twitter.com/Bridgelux
facebook.com/Bridgelux
youtube.com/user/Bridgelux
linkedin.com/company/bridgelux-inc-_2
WeChat ID: BridgeluxInChina



46410 Fremont Boulevard
Fremont, CA 94538 U.S.A.
Tel (925) 583-8400
www.bridgelux.com

© 2024 Bridgelux, Inc. All rights reserved 2024. Product specifications are subject to change without notice. Bridgelux and the Bridgelux stylized logo design are registered trademarks of Bridgelux, Inc. All other trademarks are the property of their respective owners.

Bridgelux Solderless Holder of RGBW Array Product Data Sheet DS1341 Rev. A (01/2024)