

60V 20A N-Channel Enhancement Mode Power MOSFET

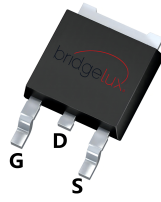
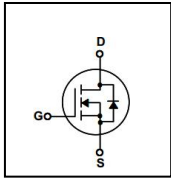
Features

- $R_{DS(on)} \leq 33m\Omega$ @ $V_{GS}=10V, I_D=10A$
- Advanced trench technology
- Excellent $R_{DS(on)}$ and Low Gate Charge
- Lead free product is acquired

Application

- Load Switch
- PWM Application
- Power management

SYMBOL



TO-252

ASSEMBLY MESSAGE

Product Name	Package	Packaging
BXT330N06D	TO-252	Reel

ABSOLUTE MAXIMUM RATINGS ($T_C=25^\circ C$ unless otherwise noted)

Parameter		Symbol	Rating	Unit
			TO-252	
Drain-Source Voltage		V_{DSS}	60	V
Drain Current	Continuous ($T_C = 25^\circ C$)	I_D	20	A
	Continuous ($T_C = 100^\circ C$)		14	A
Drain Current	Pulsed (Note1)	I_{DM}	80	A
Single Pulsed Avalanche Energy		EAS	18	mJ
Gate-Source Voltage		V_{GSS}	± 20	V
Power Dissipation	$T_C = 25^\circ C$	P_D	27.8	W
Maximum Junction Temperature		T_J	150	$^\circ C$
Storage Temperature Range		T_{STG}	-55 to 150	$^\circ C$

Note: 1. Repetitive Rating: Pulse width limited by maximum junction temperature

THERMAL CHARACTERISTICS

Parameter	Symbol	Max.	Unit
		TO-252	
Thermal Resistance, Junction to Case	$R_{\theta JC}$	5.4	$^\circ C / W$

ELECTRICAL CHARACTERISTICS ($T_J=25^{\circ}\text{C}$, unless otherwise Noted)

Parameter	Symbol	Test Condition	Min.	Typ.	Max.	Unit
OFF CHARACTERISTICS						
Drain-Source Breakdown Voltage	BV_{DSS}	$V_{GS}=0V, I_D=250\mu A$	60			V
Zero Gate Voltage Drain Current	I_{DSS}	$V_{DS}=60V, V_{GS}=0V$			1	μA
Gate-Body Leakage Current, Forward	I_{GSS}	$V_{GS}=20V$			100	nA
Gate-Body Leakage Current, Reverse		$V_{GS}=-20V$			-100	nA
ON CHARACTERISTICS						
Gate Threshold Voltage	$V_{GS(TH)}$	$V_{DS}=V_{GS}, I_D=250\mu A$	1.0	1.6	2.5	V
Drain-Source On-State Resistance	$R_{DS(ON)}$	$V_{GS}=10V, I_D=10A$		26	33	$m\Omega$
		$V_{GS}=4.5V, I_D=5A$		33	45	$m\Omega$
DYNAMIC PARAMETERS						
Input Capacitance	C_{ISS}	$V_{DS}=25V, V_{GS}=0V,$ $f=1.0MHz$		975		μF
Output Capacitance	C_{OSS}			61		μF
Reverse Transfer Capacitance	C_{RSS}			56		μF
SWITCHING PARAMETERS						
Turn-ON Delay Time	$t_{D(ON)}$	$V_{DD}=30V, I_D=20A, V_{GS} =$ $10V, R_G=1.8\Omega$		7.2		ns
Turn-ON Rise Time	t_R			20		ns
Turn-OFF Delay Time	$t_{D(OFF)}$			15		ns
Turn-OFF Fall-Time	t_F			24		ns
Total Gate Charge(Note2)	Q_G	$V_{DS} =30V, V_{GS} =10V, I_D$ $=10A$		24.5		nC
Gate Source Charge	Q_{GS}			4.3		nC
Gate Drain Charge	Q_{GD}			6.4		nC
SOURCE- DRAIN DIODE RATINGS AND CHARACTERISTICS						
Drain-Source Diode Forward Voltage	V_{SD}	$I_S=20A, V_{GS}=0V$			1.2	V
Diode Continuous Forward Current	I_S				20	A
Maximum Pulsed Drain to Source Diode Forward Current	I_{SM}				80	A
Body Diode Reverse Recovery Time	t_{rr}	$I_F=20A, di/dt=100A/\mu s$		29		ns
Body Diode Reverse Recovery Charge	Q_{rr}			50		nC

Note: 2. Essentially independent of operating temperature

TYPICAL CHARACTERISTICS

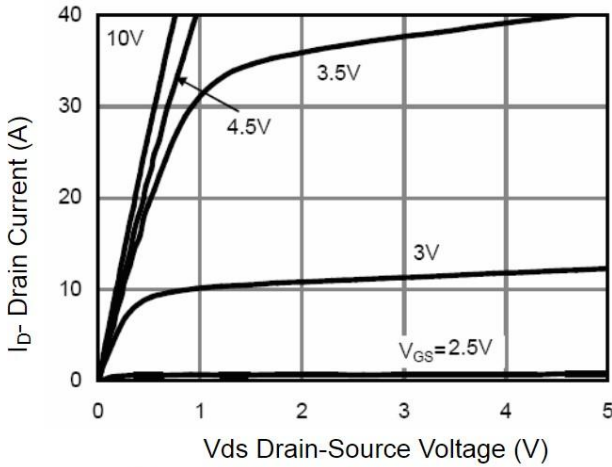


Figure 1 Output Characteristics

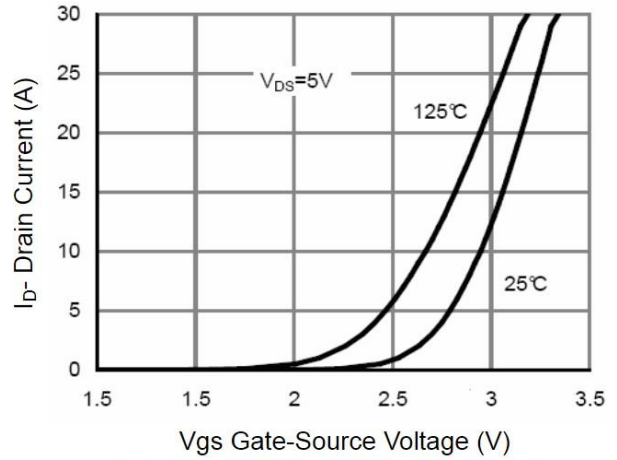


Figure 2 Transfer Characteristics

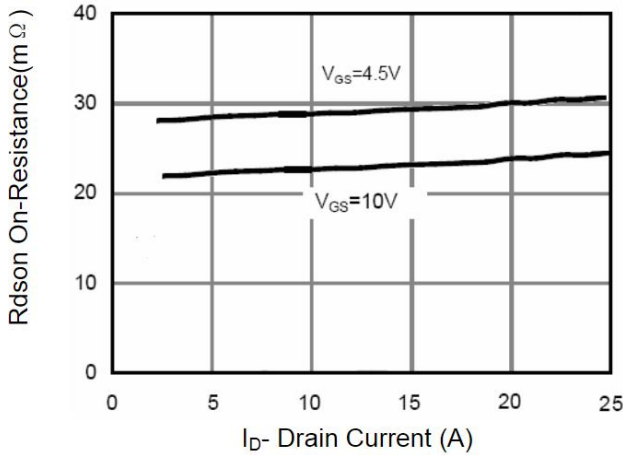


Figure 3 Rds(on)- Drain Current

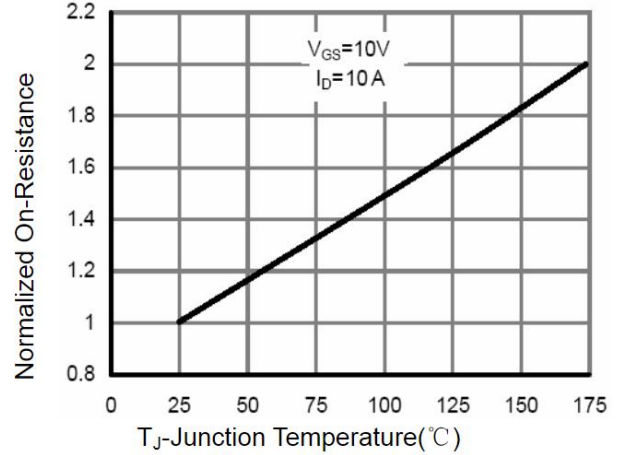


Figure 4 Rds(on)-Junction Temperature

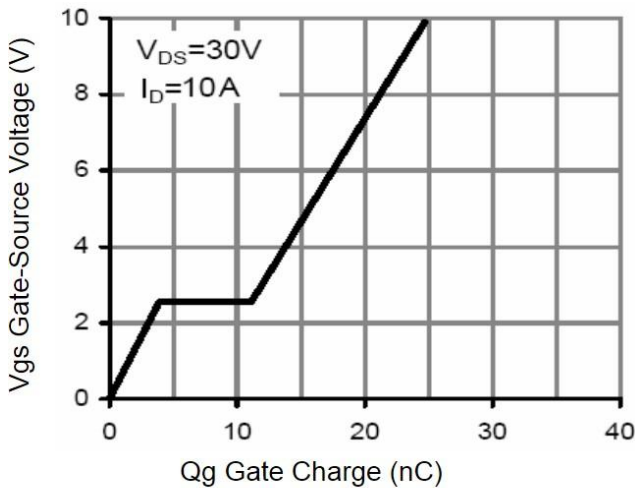


Figure 5 Gate Charge

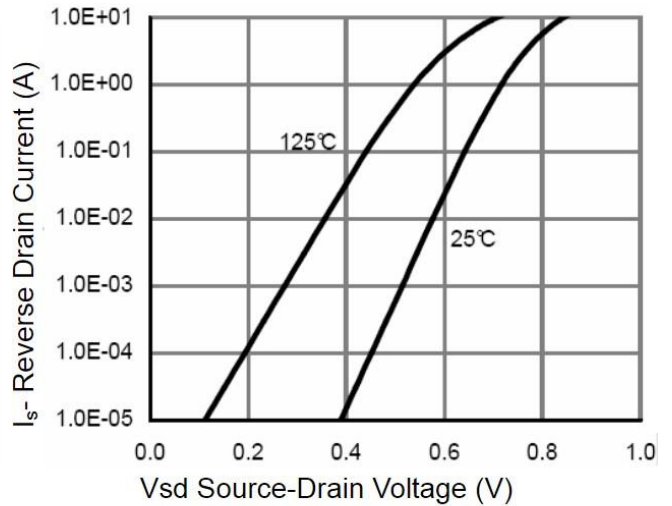


Figure 6 Source- Drain Diode Forward

TYPICAL CHARACTERISTICS(Cont.)

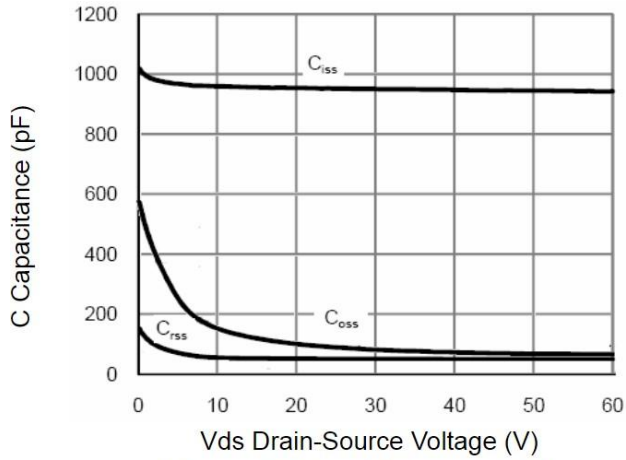


Figure 7 Capacitance vs Vds

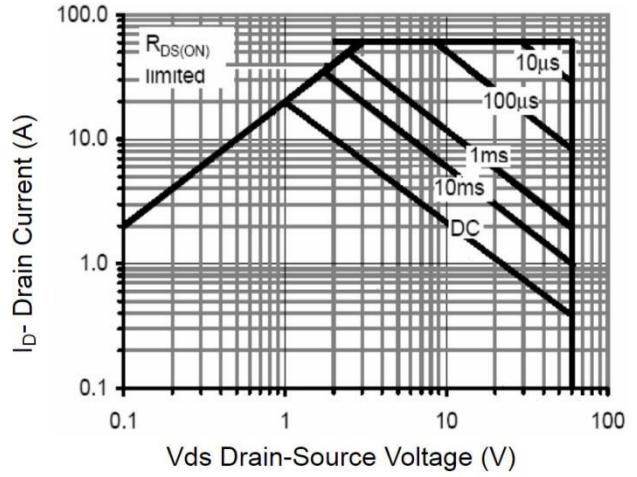


Figure 8 Safe Operation Area

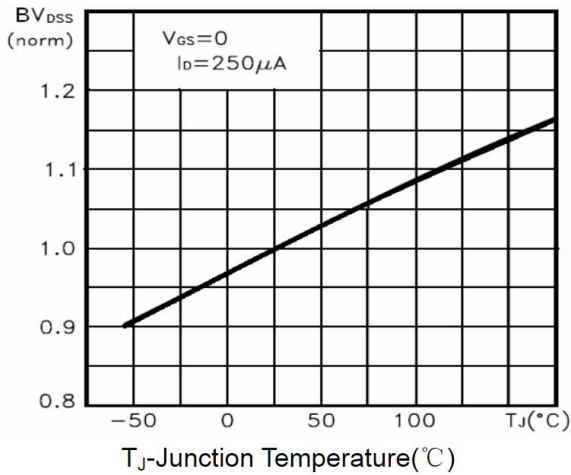


Figure 9 BV_{DSS} vs Junction Temperature

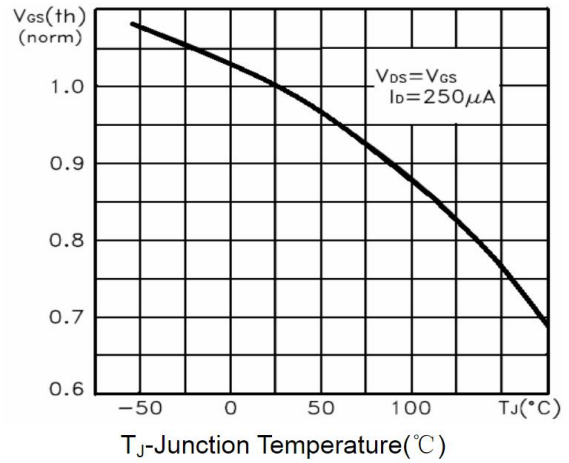


Figure 10 V_{GS(th)} vs Junction Temperature

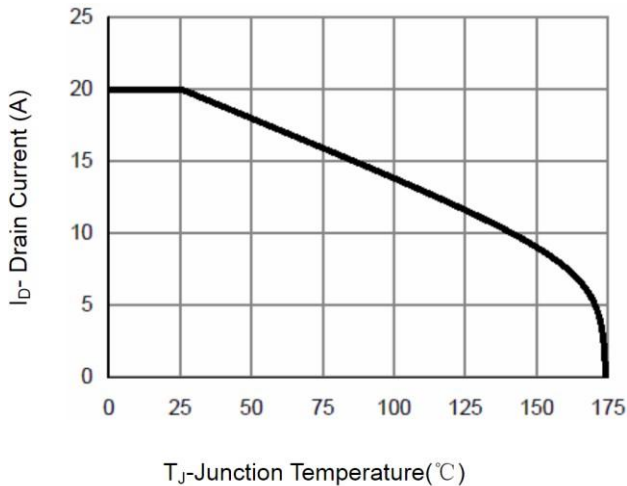
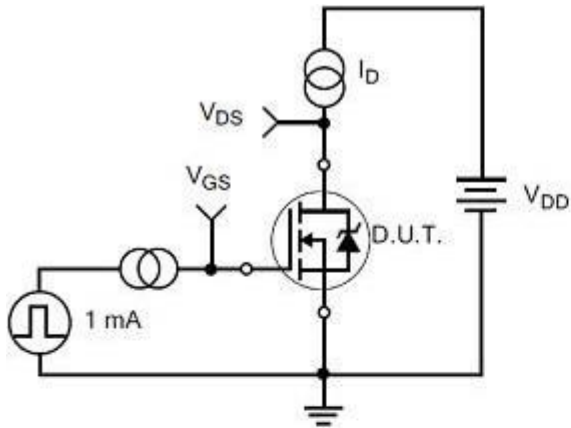
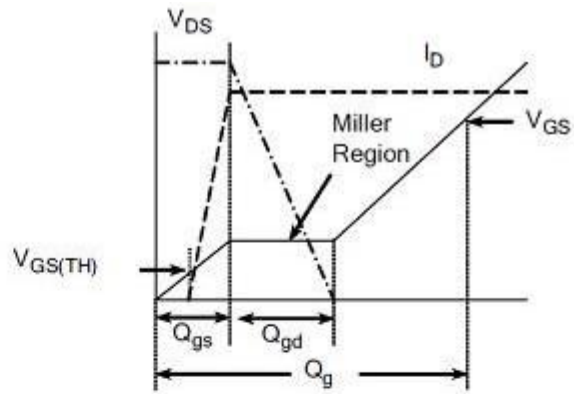


Figure 11 Current De-rating

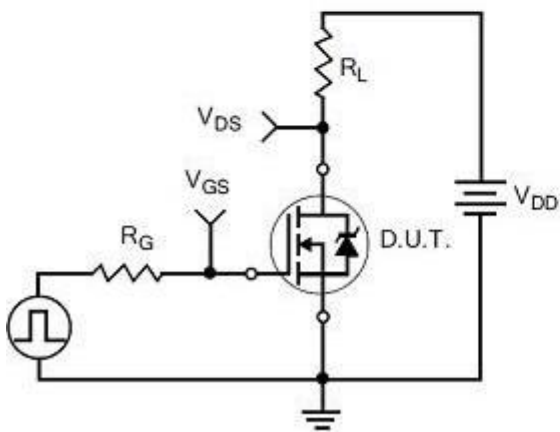
TEST CIRCUITS AND WAVEFORMS



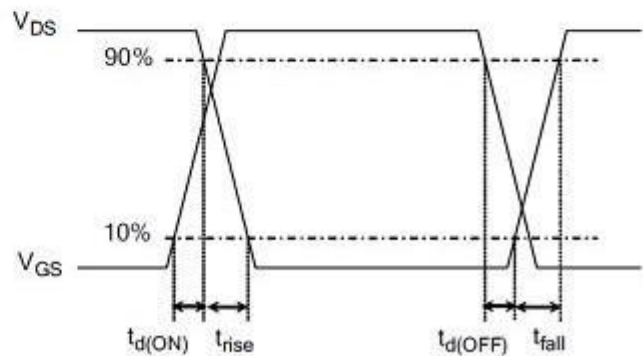
Gate Charge Test Circuit



Gate Charge Waveform

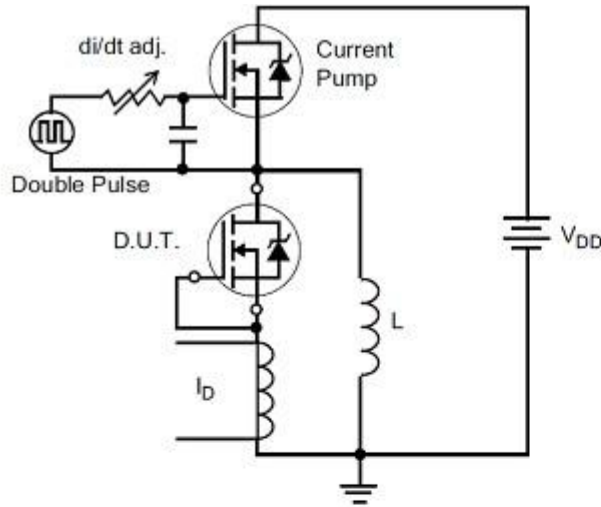


Resistive Switching Test Circuit

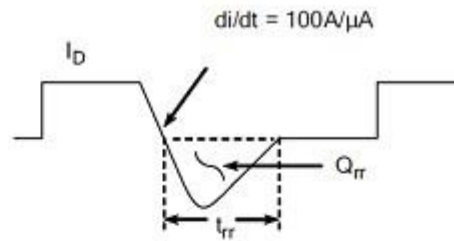


Resistive Switching Waveforms

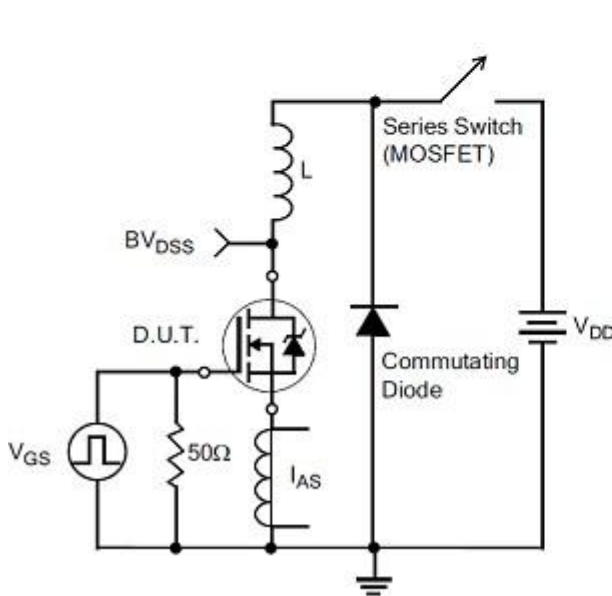
TEST CIRCUITS AND WAVEFORMS(Cont.)



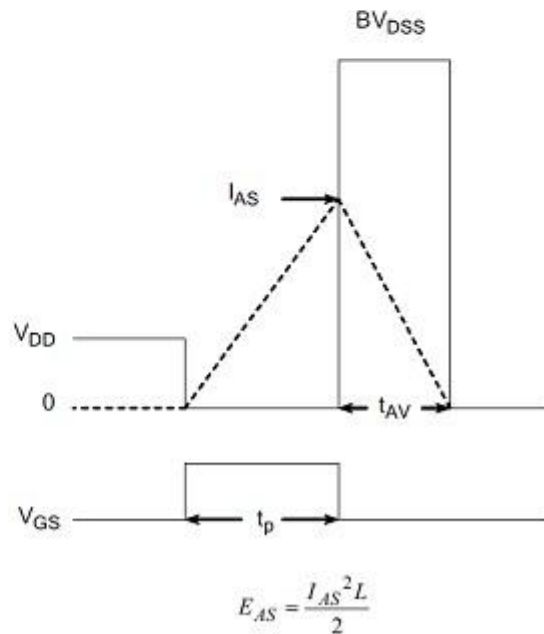
Diode Reverse Recovery Test Circuit



Diode Reverse Recovery Waveform

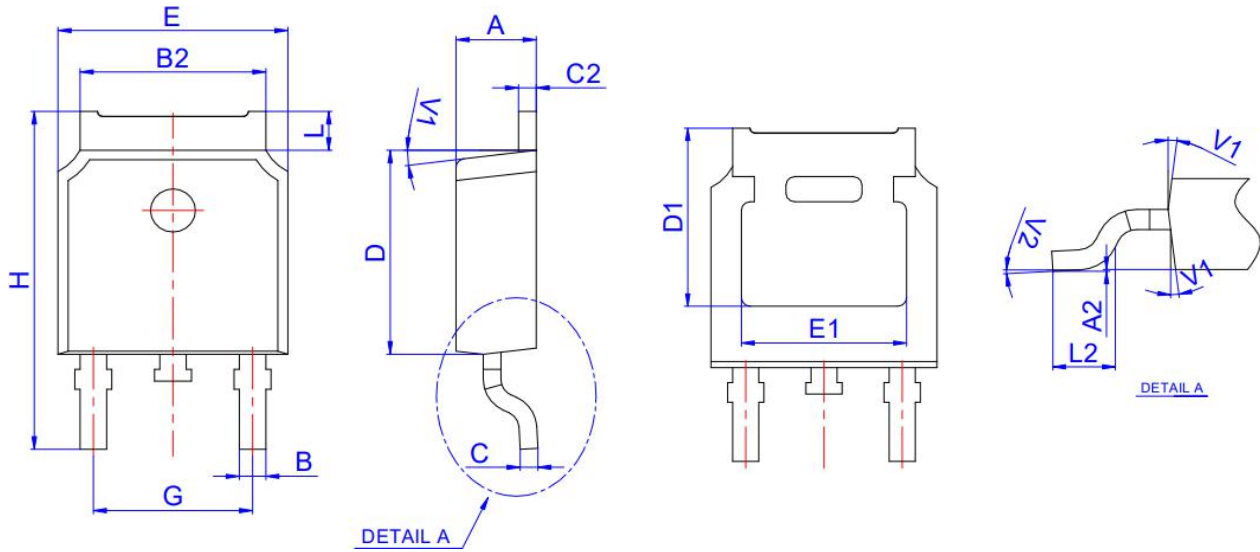


Unclamped Inductive Switching Test Circuit



Unclamped Inductive Switching Waveforms

TO-252 Package



Ref.	Dimensions					
	Millimeters			Inches		
	Min.	Typ.	Max.	Min.	Typ.	Max.
A	2.10		2.50	0.083		0.098
A2	0		0.10	0		0.004
B	0.66		0.86	0.026		0.034
B2	5.18		5.48	0.202		0.216
C	0.40		0.60	0.016		0.024
C2	0.44		0.58	0.017		0.023
D	5.90		6.30	0.232		0.248
D1	5.30REF			0.209REF		
E	6.40		6.80	0.252		0.268
E1	4.63			0.182		
G	4.47		4.67	0.176		0.184
H	9.50		10.70	0.374		0.421
L	1.09		1.21	0.043		0.048
L2	1.35		1.65	0.053		0.065
V1		7°			7°	
V2	0°		6°	0°		6°

Revision history

Document revision history

Date	Revision	Changes
25-Jan-2021	1.0	First release

Disclaimers:

Bridgelux WuXi has made reasonable commercial efforts to ensure that the information given in this data sheet is correct. However, it must clearly be understood that such information is for guidance only and does not constitute any representation or form part of any offer or contract.

For documents and material available from this data sheet, Bridgelux WuXi does not warrant or assume any legal liability or responsibility for the accuracy, completeness, or usefulness of any information, product, technology or process disclosed hereunder.

Bridgelux WuXi reserves the rights to at its own discretion to make any changes or improvements to this data sheet. Unless said data sheet is incorporated into the formal contract, any customer should not rely on the information as any specification or product parameters duly committed by Bridgelux WuXi. Customers are hereby advised to verify that the information contained herein is current and complete before the entering of any contract or acknowledgement of any purchase order. Accordingly, all products specified hereunder shall be sold subject to Bridgelux WuXi's terms and conditions supplied at the time of order acknowledgement. Except where agreed upon by contractual agreement, testing of all parameters of each product is not necessarily performed.

Bridgelux WuXi does not warrant or convey any license either expressed or implied under its patent rights, nor the rights of others. Reproduction of information contained herein shall be only permissible if such reproduction is without any modification or alteration. Reproduction of this information with any alteration is an unfair and deceptive business practice. Bridgelux WuXi is not responsible or liable for such altered documentation.

Resale of Bridgelux WuXi's products with statements different from or beyond the parameters stated by Bridgelux WuXi for that product or service voids all express or implied warranties for the associated Bridgelux WuXi's product or service and is unfair and deceptive business practice. Bridgelux WuXi is not responsible or liable for any such statements.

Bridgelux WuXi's products are not authorized for use as critical components in life support devices or systems without the express written approval of Bridgelux WuXi. As used herein:

1. Life support devices or systems are devices or systems which, (a) are intended for surgical implant into the body, or (b) support or sustain life, and whose failure to perform, when properly used in accordance with instructions for use provided in the labeling, can be reasonably expected to result in a significant injury to the user.
2. A critical component is any component of a life support device or system whose failure to perform can be reasonably expected to cause the failure of the life support device or system, or to affect its safety or effectiveness.